



M^cC
Fencing

FP McCann

Tel : 01455 290 780

fencing@fpmccann.co.uk

www.fpmccann.co.uk

Fax : 01455 292 189

Fencing Products

FP McCann provides an extensive range of precast concrete fencing systems from its recently extended Cadeby works, situated centrally in Warwickshire. Products include slotted posts and gravel boards, morticed, recessed and chainlink posts, screed rails and bollards. Gravel boards are available in a selection of attractive designs including recessed and rock-faced patterns.

FP McCann will deliver throughout the UK or alternatively the customer can collect direct from Cadeby.

Our sales and technical teams are on hand to discuss your requirements.



Fenn-Lite Lightweight Fencing

Fenn-Lite is a lightweight fencing system that can be installed singularly but has the strength and durability of conventional fencing posts and panels.

- **Up to 45% lighter than conventional posts and panels**
- **Assists in compliance with manual handling requirements**
- **Easy to handle and install**
- **Reduced transport costs and CO2 emissions**
- **Integral strength and wind resistance**
- **Posts available in 5 different lengths**

Fenn-Lite

Product Code	Dimensions Metric	Dimensions Imperial	Number per Tonne	Number per Pack	Individual Weight in kg	Pack Weight inc. Packaging
Slotted Posts - Intermediates - Light Weight						
FPSLP150LW	1525	5'	60.61	40	16.5	680
FPSLP180LW	1830	6'	48.78	40	20.5	840
FPSLP210LW	2135	7'	42.86	30	23.3	720
FPSLP240LW	2440	8'	36.59	30	27.3	840
FPSLP275LW	2745	9'	31.25	30	32.0	980
Slotted Posts - Corners - Light Weight						
FPSLPC150LW	1525	5'	28.74	6	34.8	218.8
FPSLPC180LW	1830	6'	23.62	6	42.3	260
FPSLPC210LW	2135	7'	20.41	6	49.0	300
FPSLPC240LW	2440	8'	16.95	6	59.0	360
FPSLPC275LW	2745	9'	15.23	6	65.7	400
Slotted Posts - Ends - Light Weight						
FPSLPE150LW	1525	5'	54.35	10	18.4	204
FPSLPE180LW	1830	6'	43.86	10	22.8	248
FPSLPE210LW	2135	7'	38.17	10	26.2	282
FPSLPE240LW	2440	8'	32.68	10	30.6	326
FPSLPE275LW	2745	9'	28.25	10	35.4	374
Gravel Boards For Slotted Posts - Light Weight						
FPGBP150LW Plain	1830x150x45	6"	48.31	40	20.7	840
FPGBP305LW Plain	1830x305x45	12"	25.48	20	39.3	800
FPGBR150LW Recessed	1830x150x45	6"	50.96	40	19.6	800
FPGBR305LW Recessed	1830x305x45	12"	30.77	20	32.5	665
FPGBRF305WCLW Rock Faced	1830x305x45	12"	23.67	20	42.3	860
FPGBRF305WCLWHP Rock Faced HP	1830x305x45	12"	24.81	16	40.3	660
Recessed Posts - Light Weight						
FPARP250LW	2515	8' 3"	18.75	18	53.3	980
Morticed Posts - Light Weight						
FPMOR240LW	2440	8'	23.44	30	42.7	1300

NB: Individual product weights and pack weights may slightly vary from published data due to bulk density changes in aggregates used in production. Other light weight products may be manufactured upon request.



Lightweight concrete fence posts are easy to handle



Easily slots together for quick and easy construction



A durable, strong and long lasting alternative to wooden posts

MC
Fencing

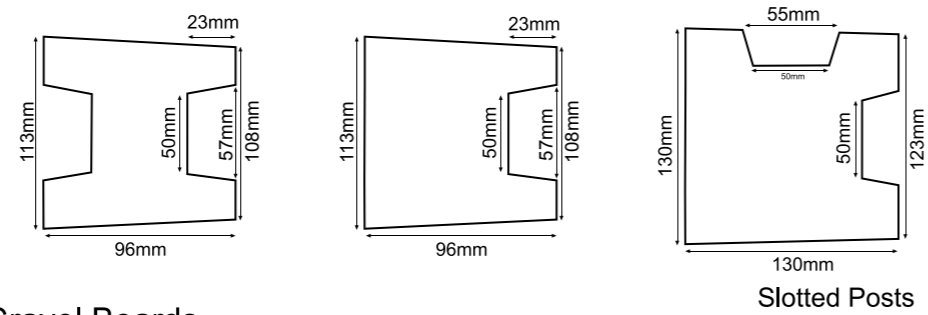
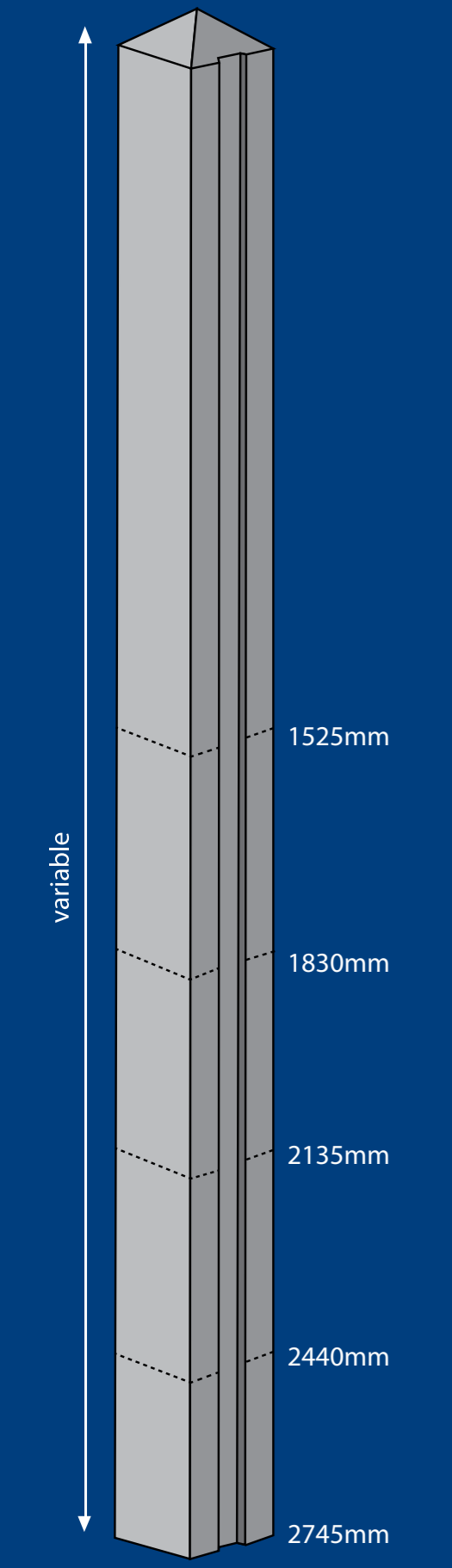
Slotted Posts

Slotted Posts and Gravel Boards

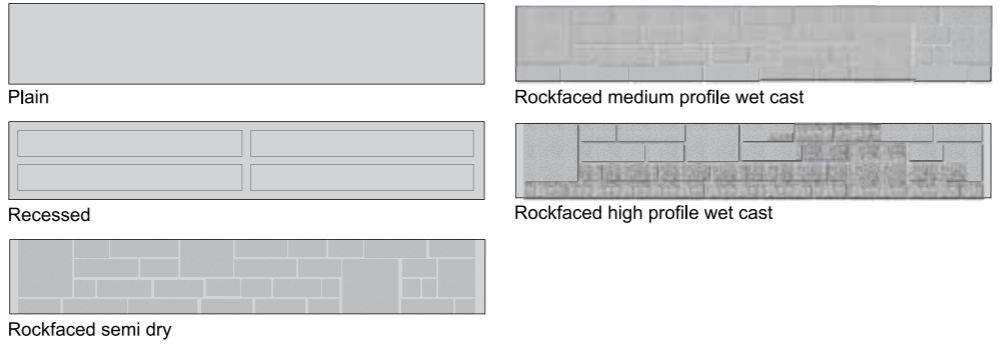
Morticed and Recessed Posts

Product Code	Dimensions Metric	Dimensions Imperial	Number per Tonne	Number per Pack	Individual Weight in kg	Pack Weight inc. Packaging
Slotted Posts - Intermediates						
FPSLP150	1525	5'	35.09	40	28.5	1160
FPSLP180	1830	6'	28.99	40	34.5	1400
FPSLP210	2135	7'	25.42	30	39.3	1200
FPSLP240	2440	8'	22.39	30	44.7	1360
FPSLP275	2745	9'	18.99	30	52.7	1600
Slotted Posts - Corners						
FPSLPC150	1525	5'	20.34	6	49.2	301
FPSLPC180	1830	6'	17.19	6	58.2	355
FPSLPC210	2135	7'	15.00	6	66.7	406
FPSLPC240	2440	8'	12.66	6	79.0	480
FPSLPC275	2745	9'	11.09	6	90.2	547
Slotted Posts - Ends						
FPSLPE150	1525	5'	32.47	10	30.8	328
FPSLPE180	1830	6'	26.46	10	37.8	398
FPSLPE210	2135	7'	22.57	10	44.3	463
FPSLPE240	2440	8'	20.12	10	49.7	517
FPSLPE275	2745	9'	17.83	10	56.1	581
Gravel Boards For Slotted Posts						
FPGBP150 Plain	1830x150x45	6"	36.10	40	27.7	1120
FPGBP305 Plain	1830x305x45	12"	17.17	20	58.3	1180
FPGBR150 Recessed	1830x150x45	6"	37.56	40	26.6	1080
FPGBR305 Recessed	1830x305x45	12"	21.62	20	46.3	940
FPGBRF305 Rock Faced Semi dry	1830x305x45	12"	19.14	20	52.3	1060
FPGBRF305WC Rock Faced Wet cast	1830x305x45	12"	18.43	20	54.3	1100
FPGBRF305WCHP Rock Faced WC High profile	1830x305x45	12"	16.90	16	59.1	960
Heavy Duty Slotted Posts - Intermediates						
FPHDSL150	1580	5'	20.20	16	49.5	812
FPHDSL180	1890	6'	16.81	16	59.5	972
FPHDSL210	2200	7'	14.60	16	68.5	1116
FPHDSL240	2510	8'	13.25	16	75.5	1228
FPHDSL275	2820	9'	12.12	16	82.5	1340
FPHDSL305	3130	10'	10.47	16	95.5	1548
FPHDSL335	3440	11'	9.57	16	104.5	1692
FPHDSL366	3740	12'	8.66	16	115.5	1868
Heavy Duty Slotted Posts - Corners						
FPHDSLPC305	3120	10'	10.10	6	99.0	600
FPHDSLPC335	3430	11'	9.16	6	109.2	661
FPHDSLPC366	3740	12'	8.46	6	118.2	715
Heavy Duty Slotted Posts - Ends						
FPHDSLPE150	1580	5'	18.87	8	53.0	444
FPHDSLPE180	1890	6'	15.63	8	64.0	532
FPHDSLPE210	2135	7'	13.51	8	74.0	612
FPHDSLPE240	2510	8'	12.20	8	82.0	676
FPHDSLPE275	2745	9'	11.11	8	90.0	740
FPHDLSPE305	3130	10'	9.71	8	103.0	844
FPHDLSPE335	3440	11'	8.85	8	113.0	924
FPHDLSPE366	3740	12'	8.06	8	124.0	1012

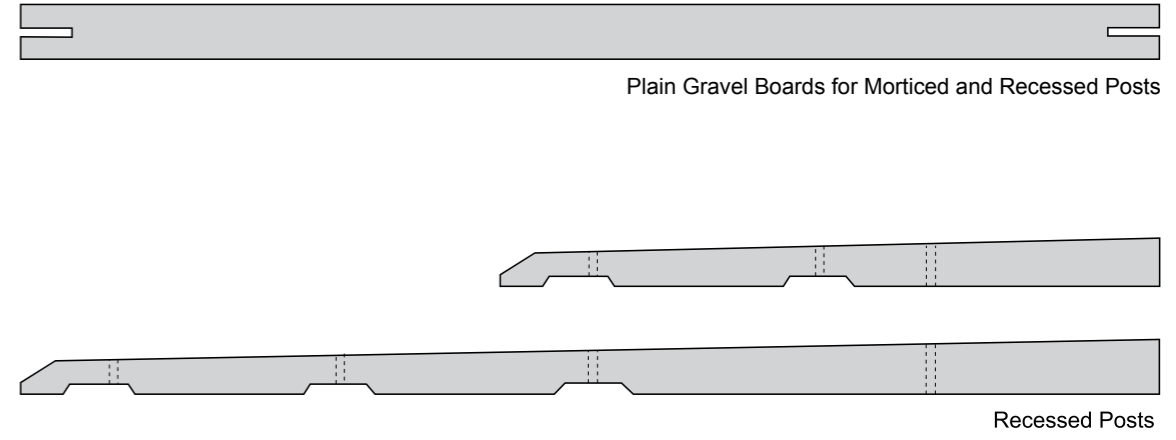
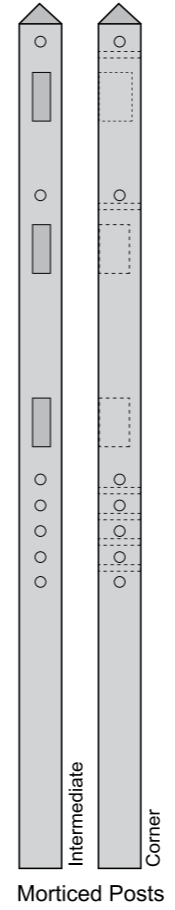
Product Code	Dimensions Metric	Dimensions Imperial	Number per Tonne	Number per Pack	Individual Weight in kg	Pack Weight inc. Packaging
Morticed Posts - Intermediate						
FPMOR150	1525	5'	29.63	40	33.8	1370
FPMOR180	1830	6'	23.95	40	41.8	1690
FPMOR210	2135	7'	20.98	30	47.7	1450
FPMOR240	2440	8'	18.52	30	54.0	1640
FPMOR275	2745	9'	15.96	30	62.7	1900
Morticed Posts - Corners						
FPMORC150	1525	5'	28.85	6	34.7	214
FPMORC180	1830	6'	24.00	6	41.7	256
FPMORC210	2135	7'	20.55	6	48.7	298
FPMORC240	2440	8'	17.49	6	57.2	349
FPMORC275	2745	9'	16.30	6	61.3	374
Recessed Posts						
FPARP145	1500	4' 11"	21.77	27	45.9	1260
FPARP175	1750	5' 9"	18.49	27	54.1	1480
FPARP220	2205	7' 3"	15.00	18	66.7	1220
FPARP250	2485	8' 3"	13.64	18	73.3	1340
FPARP307*	3125	10' 3"	10.00	9	100.0	920
Gravel Boards For Morticed/Recessed Posts						
FPGB240P	2400x150x50	7' 10 1/2"	24.65	14	40.6	580
FPGB270P	2700x150x50	8' 10 1/2"	21.60	14	46.3	660
FPGB2885P	2885x150x50	9' 5 1/2"	19.77	14	50.6	720
FPGB300P	3000x150x50	9' 10"	19.10	14	52.4	745



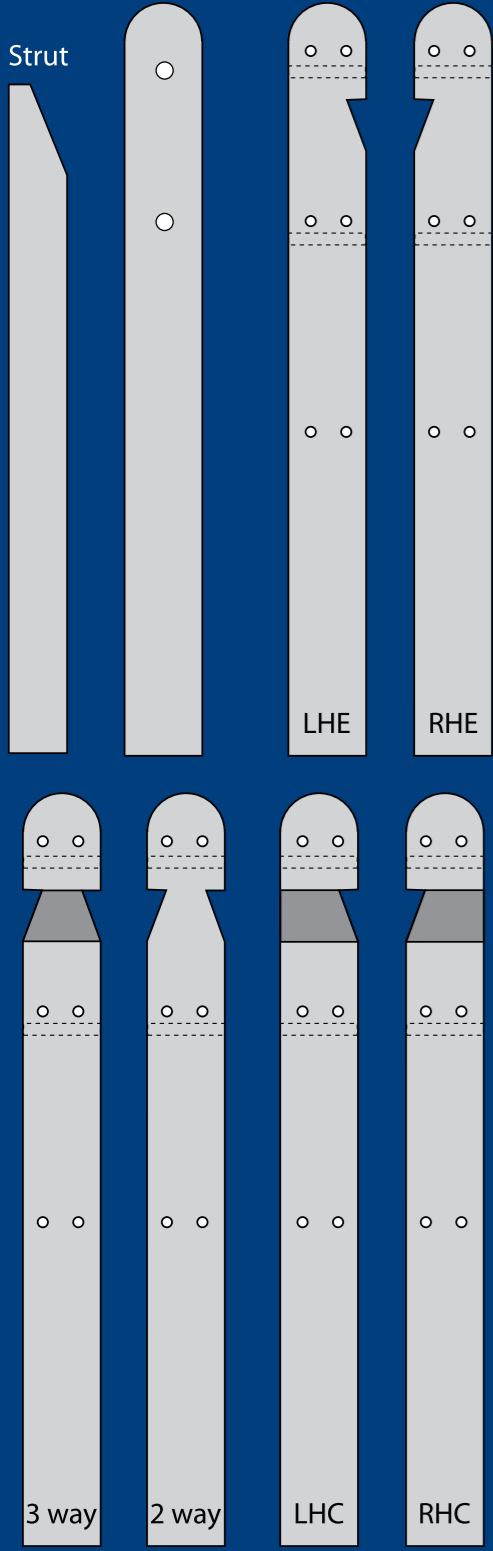
Gravel Boards



*Please note : Will only take a 6' fence



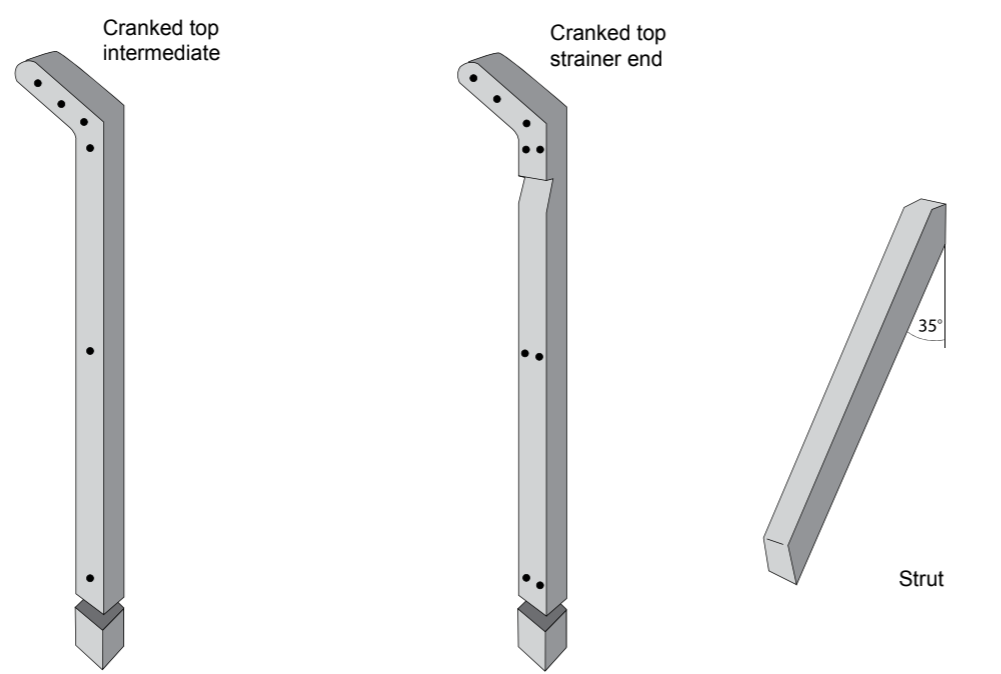
Chainlink Posts



Chainlink Posts

Chainlink and Cranked Top Security Posts

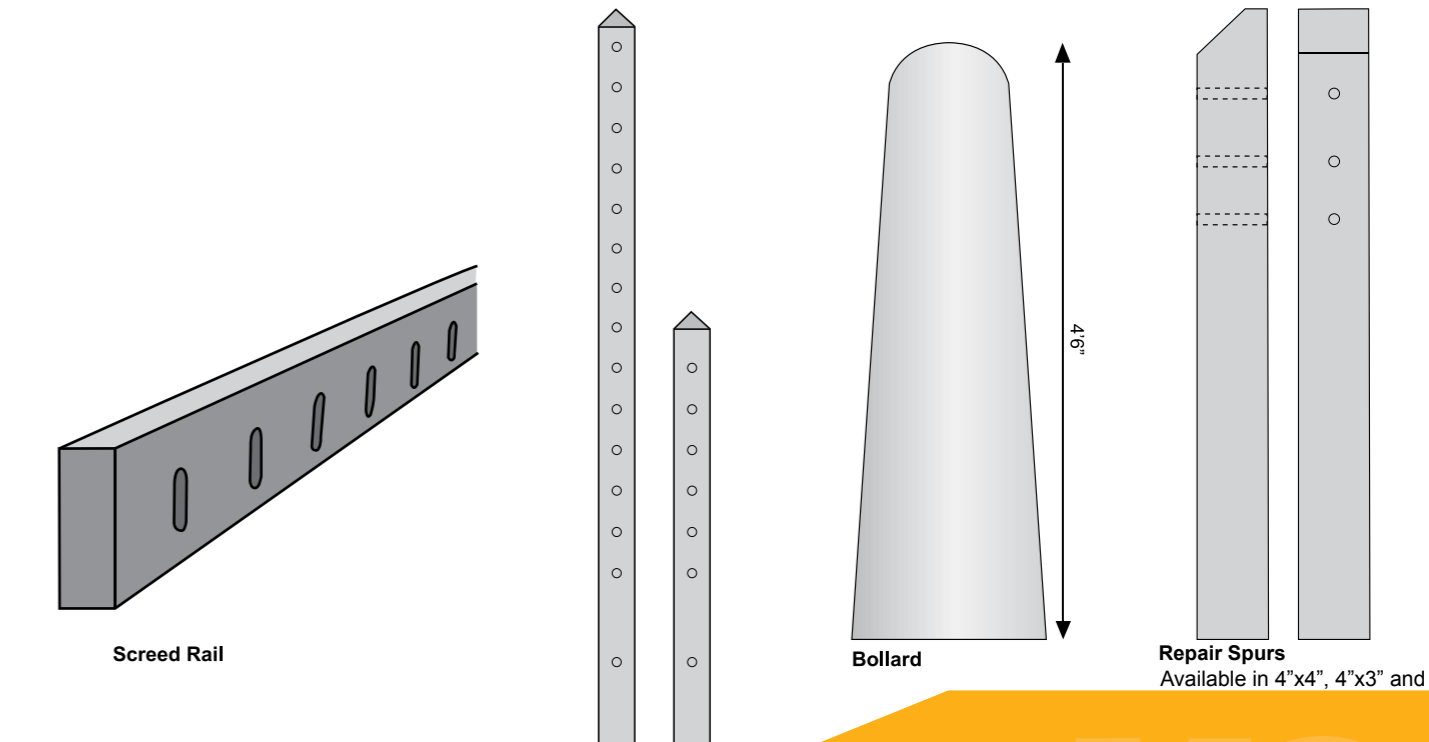
Product Code	Dimensions Metric	Dimensions Imperial	Number per Tonne	Number per Pack	Individual Weight in kg	Pack Weight inc. Packaging	Max. Wire Height
Chainlink Posts (1600mm)							
FPCHL160	Inter	5' 3"	36.42	44	27.5	1220	3'
FPCHLS1602W	2Way	5' 3"	17.69	15	56.5	860	
FPCHLS1603W	3Way	5' 3"	17.69	15	56.5	860	
FPCHLS160LHC	L/H Corner	5' 3"	17.69	15	56.5	860	
FPCHLS160RHC	R/H Corner	5' 3"	17.69	15	56.5	860	
FPCHLS160LHE	L/H End	5' 3"	17.69	15	56.5	860	
FPCHLS160RHE	R/H End	5' 3"	17.69	15	56.5	860	
FPCHLST150	5' Strut	5'	41.20	44	24.3	1080	
Chainlink Posts (1930mm)							
FPCHL190	Inter	6' 3"	26.32	36	38.0	1380	4'
FPCHLS1902W	2Way	6' 3"	14.73	15	67.9	1030	
FPCHLS1903W	3Way	6' 3"	14.73	15	67.9	1030	
FPCHLS190LHC	L/H Corner	6' 3"	14.73	15	67.9	1030	
FPCHLS190RHC	R/H Corner	6' 3"	14.73	15	67.9	1030	
FPCHLS190LHE	L/H End	6' 3"	14.73	15	67.9	1030	
FPCHLS263RHE	R/H End	6' 3"	14.73	15	67.9	1030	
FPCHLST240	6' Strut	6'	33.13	44	30.2	1340	
Chainlink Posts (2630mm)							
FPCHL1263	Inter	8' 9"	16.02	27	62.4	1697	6'
FPCHLS2632W	2Way	8' 9"	10.38	10	96.3	975	
FPCHLS2633W	3Way	8' 9"	10.38	10	96.3	975	
FPCHLS263LHC	L/H Corner	8' 9"	10.38	10	96.3	975	
FPCHLS263RHC	R/H Corner	8' 9"	10.38	10	96.3	975	
FPCHLS263LHE	L/H End	8' 9"	10.38	10	96.3	975	
FPCHLS263RHE	R/H End	8' 9"	10.38	10	96.3	975	
FPCHLST240	8' Strut	8'	25.04	33	39.9	1330	
Cranked Top Security Posts (3125mm)							
FPAS1307	Inter	10' 3"	14.04	16	71.3	1152	6'
FPASS3072W	2W Strainer	10' 3"	8.53	5	117.2	598	
FPASS307EC	Ext. Corner	10' 3"	8.53	5	117.2	598	
FPASS307IC	Int. Corner	10' 3"	8.53	5	117.2	598	
FPASS307LHE	L/H End	10' 3"	8.53	5	117.2	598	
FPASS307RHE	R/H End	10' 3"	8.53	5	117.2	598	
FPCHLST240	8' Strut	8'	25.04	33	39.9	1330	
Cranked Top Security Posts (3730mm)							
FPAS1383	Inter	12' 3"	8.75	10	114.3	1155	8'
FPASS3832W	2W Strainer	12' 3"	5.17	5	193.6	980	
FPASS383EC	Ext. Corner	12' 3"	5.17	5	193.6	980	
FPASS383IC	Int. Corner	12' 3"	5.17	5	193.6	980	
FPASS383LHE	L/H End	12' 3"	5.17	5	193.6	980	
FPASS383RHE	R/H End	12' 3"	5.17	5	193.6	980	
FPCHLST305	10' Strut	10'	13.27	12	75.3	916	



Security Fence Chain Link

Universal Posts, Repair Spurs, Screed Rails and Bollards

Product Code	Dimensions Metric	Dimensions Imperial	Number per Tonne	Number per Pack	Individual Weight in kg	Pack Weight inc. Packaging
Universal Posts - Intermediate						
FPUNP150	1525	5'	27.99	36	35.7	1306
FPUNP180	1860	6'	23.08	36	43.3	1580
FPUNP210	2160	7'	19.85	27	50.4	1380
FPUNP240	2520	8'	16.88	27	59.3	1620
FPUNP275	2660	9'	15.88	27	63.0	1720
Repair Spurs 3x3						
FPSUP0993X3	990	3'3"	72	70	14	981
FPSUP1053X3	1070	3'6"	66	70	15	1065
FPSUP1203X3	1220	4'	58	70	17	1205
Repair Spurs 4x3						
FPSUP090	915x100x75	3'	65.73	70	15.2	1080
FPSUP105	1070x100x75	3'6"	57.14	70	17.5	1240
FPSUP120	1220x100x75	4'	49.82	70	20.1	1420
FPSUP135	1370x100x75	4'6"	44.16	70	22.6	1600
Repair Spurs 4x4						
FPSUP0904X4	915x100x100	3'	50.56	36	19.8	727
FPSUP1054X4	1070x100x100	3'6"	43.90	36	22.8	835
FPSUP1204X4	1220x100x100	4'	38.50	36	26.0	950
FPSUP1354X4	1370x100x100	4'6"	33.58	36	29.8	1087
Screed Rail						
FPSRBF050	50x3000	2"	85.46	104	11.7	1237
FPSRBF100	100x3000	4"	38.34	48	26.1	1272
FPSRBF125	125x3000	5"	26.74	33	37.4	1254
FPSRBF150	150x3000	6"	21.43	30	46.7	1420
Bollards						
FPBOL135	1370x225	4'6"	10.96	5	91	475



Universal Posts





MC Fencing

FP McCann
Cadeby Works
Brascote Lane
Cadeby
Warwickshire
CV13 0BB