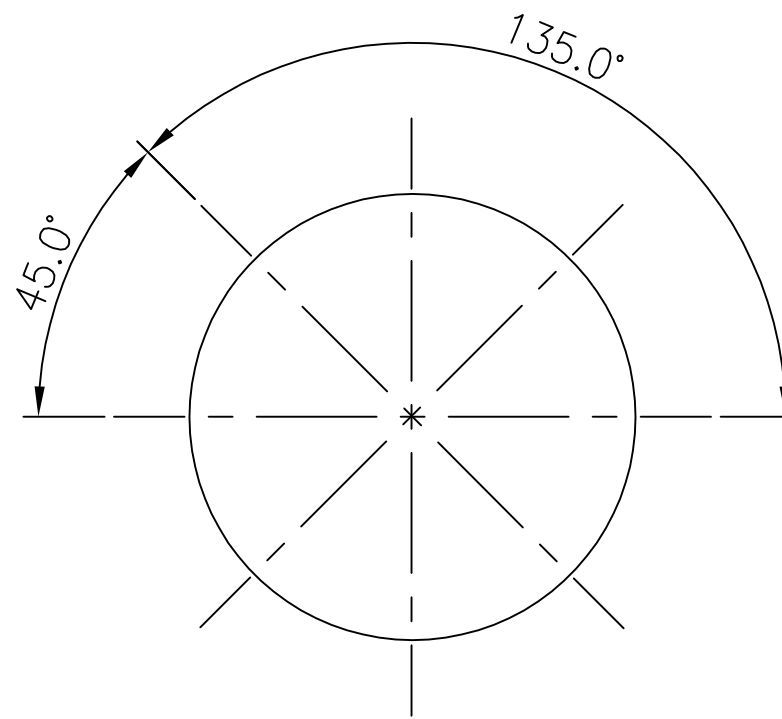
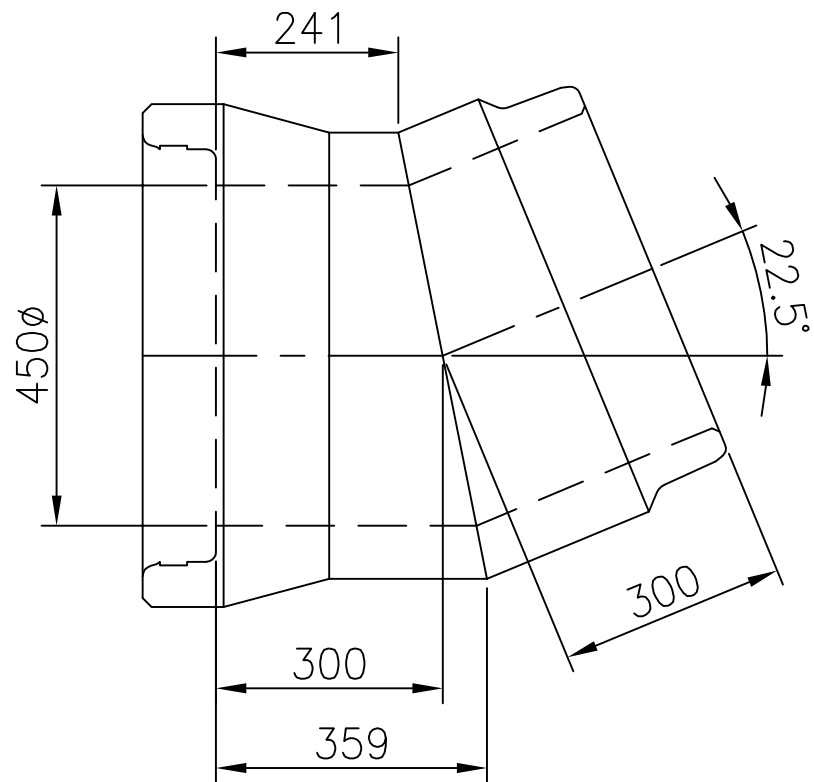
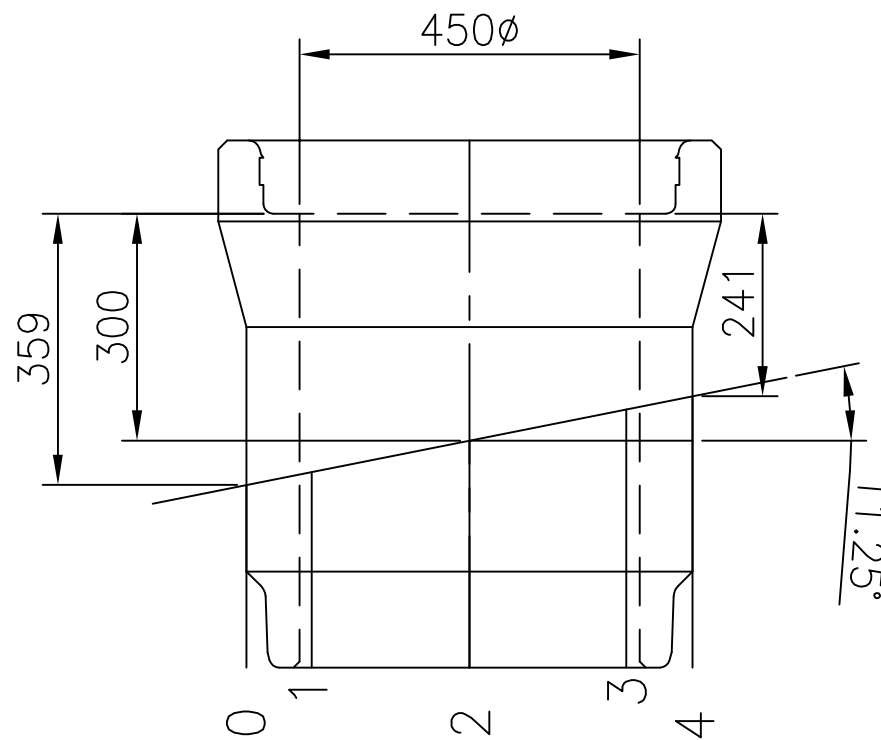


- Notes:
1. ALL DIMS ARE QUALITY CONTROL MEASUREMENTS
  2. FOR SPIGOT & SOCKET DETAILS REFER TO DRAWING KN-OC-0450-PIPE
  3. PIPE BEND WEIGHT - 219kg



	Dimension from spigot
0	241
1	259
2	300
3	341
4	359



Rev	Date	Revision detail	By	Chkd



**FP McCann**  
 Knocknagrin Quarry, 3 Drumard  
 Road, Magherafelt,  
 BT45 8QA  
 Tel: +44 (0)28 7964 2556  
 Fax: +44 (0)28 7964 4224  
 www.fpmccann.co.uk

Contract: **FP McCann Standard Pipe Bend**

Title: **DN450 Easi-Flex Two Piece 22.5° Bend**

Scale: 1:10 @ A1  
 Date: May 2010  
 Drawn: OOK  
 Checked: **For Manufacture**

Drawing no: **KN-BD-0450-22.5-SP** Rev:

1cm A1