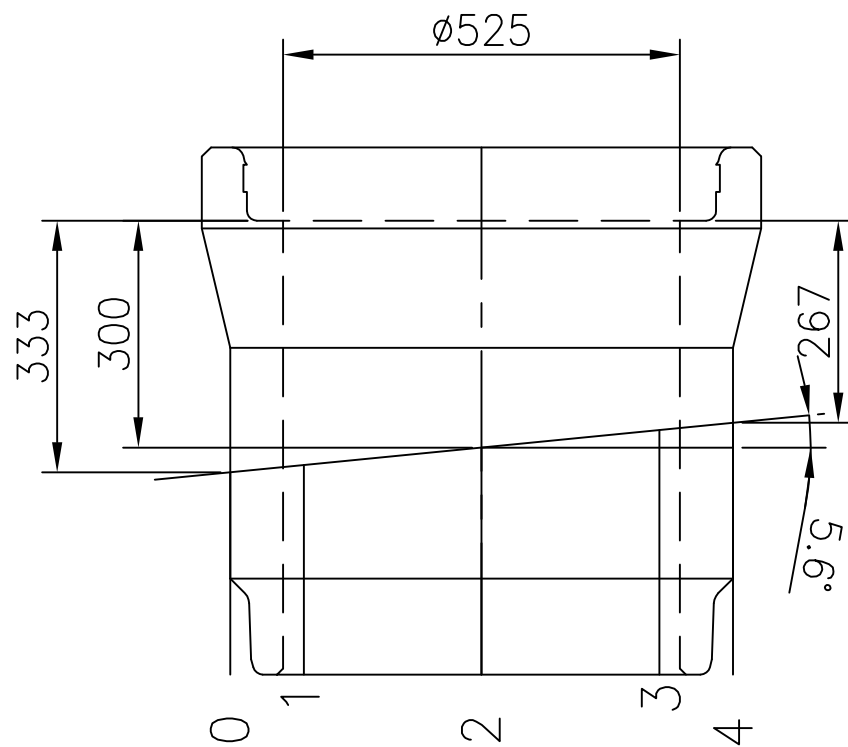
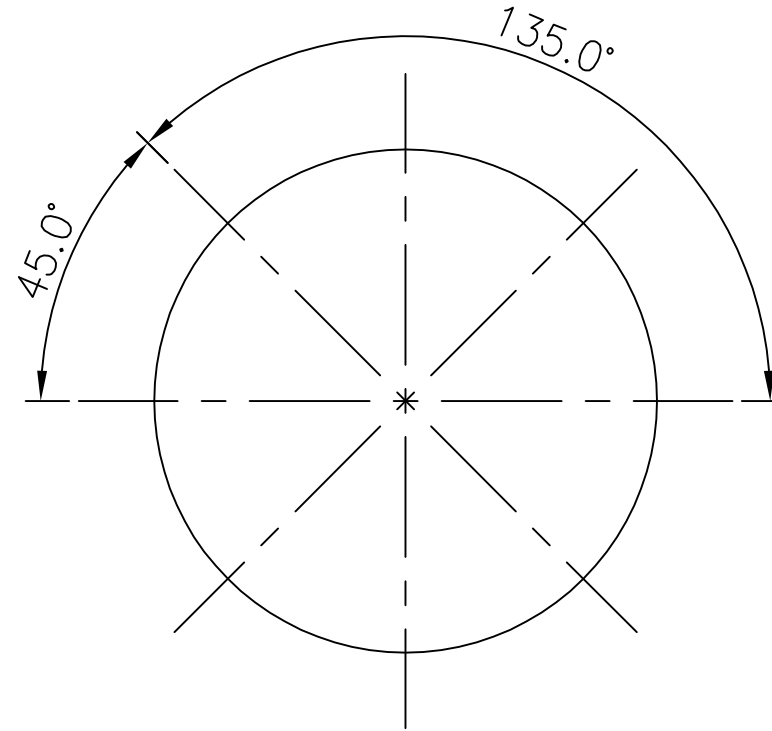
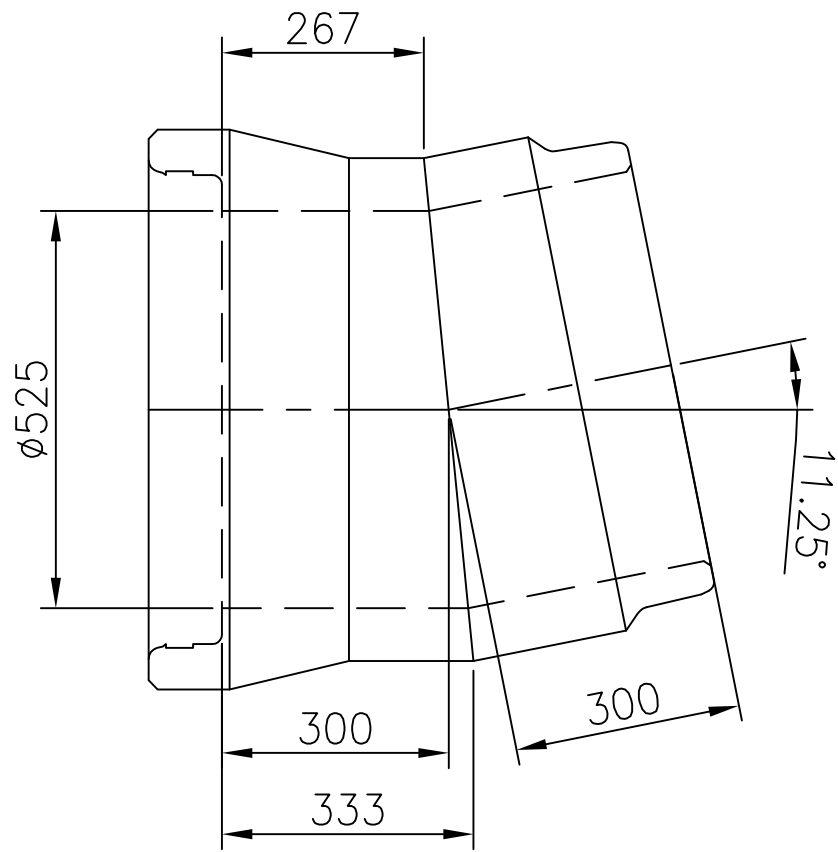



- Notes:
1. ALL DIMS ARE QUALITY CONTROL MEASUREMENTS
 2. FOR SPIGOT & SOCKET DETAILS REFER TO DRAWING KN-DN-525-PIPE
 3. PIPE BEND WEIGHT - 287kg



	Dimension from spigot
0	267
1	277
2	300
3	323
4	333

Rev	Date	Revision detail	By	Chkd
		FP McCann Kinshoughlin Quarry, 3 Drumard Road, Magherafelt, BT45 8QA Tel: +44 (0)28 7964 2556 Fax: +44 (0)28 7964 4224 www.fpmccann.co.uk		
Contract: STANDARD McCANN PIPE BENDS				
Title: DN525 PIPE 22.5° EASI-FLEX 2 PIECE BEND				
Scale: 1:10 @ A1		Status: For Manufacture		
Date: May 2010				
Drawn: OOK				
Checked:				
Drawing no: KN-BD-0525-22.5-SP				Rev:

1cm A1