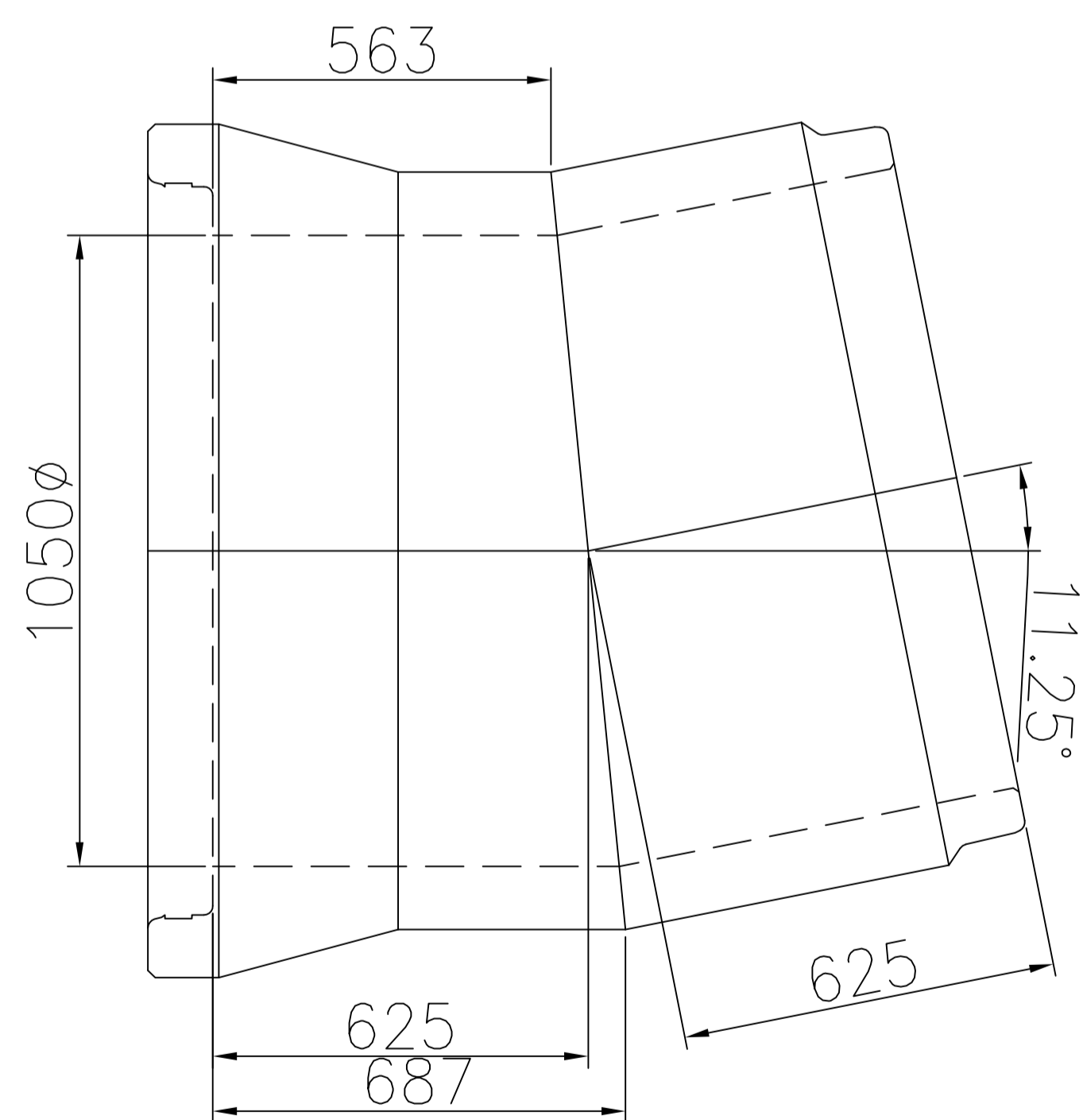
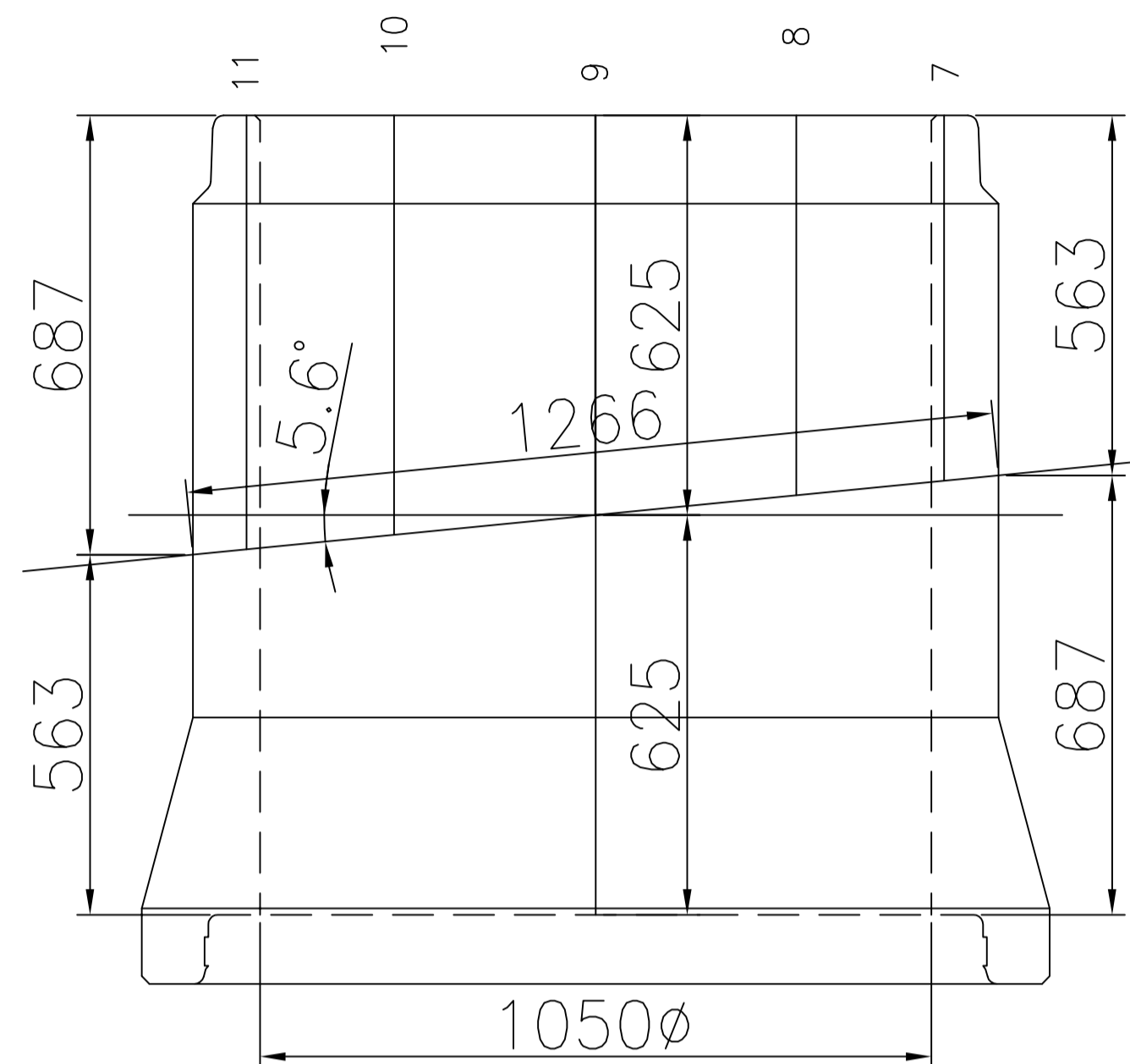
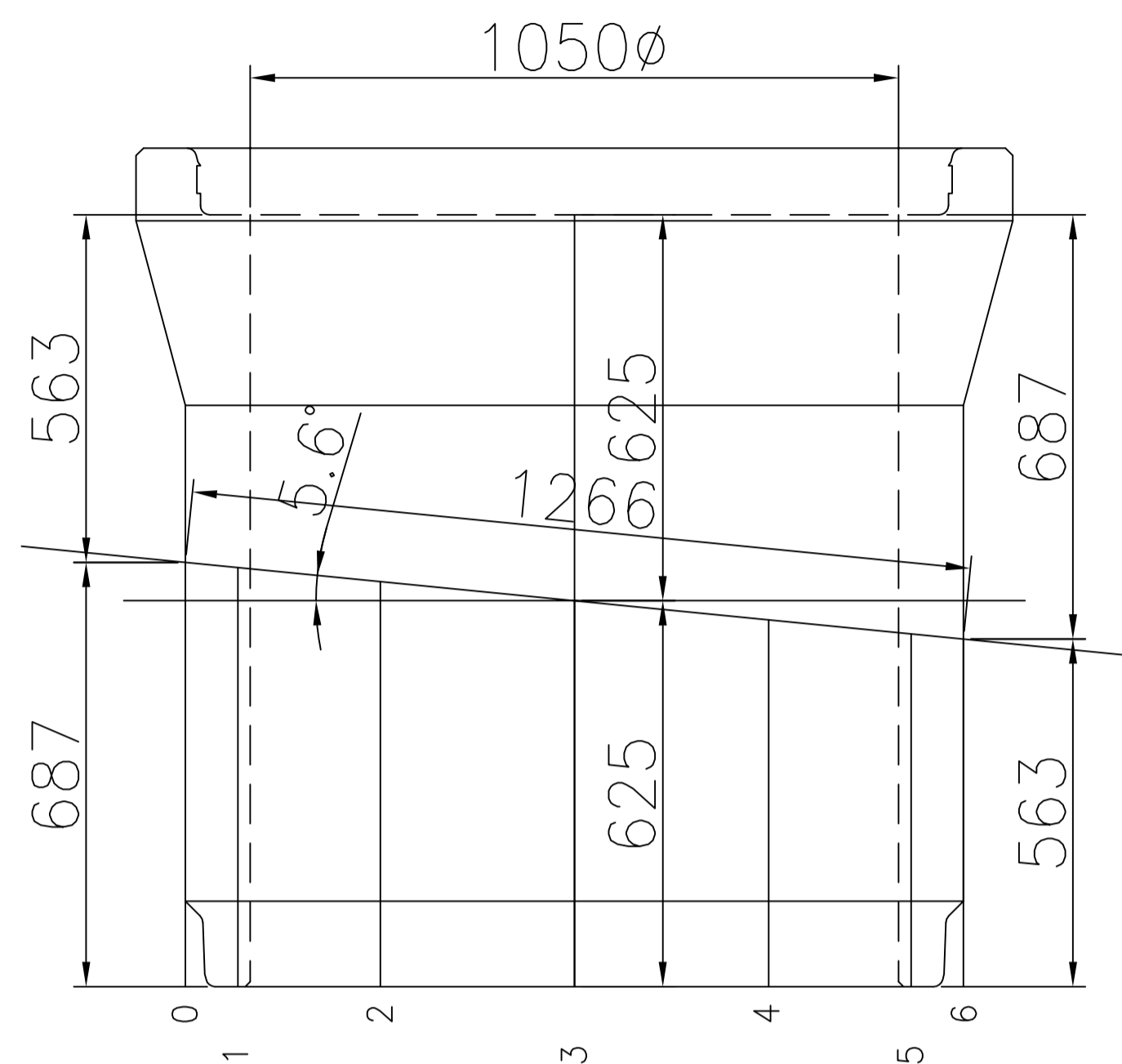


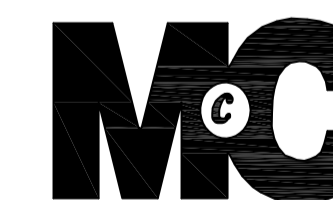
- Notes:
1. ALL DIMS ARE QUALITY CONTROL MEASUREMENTS
 2. FOR SPIGOT & SOCKET DETAILS REFER TO DRAWING KN-DN-1050-PIPE
 3. PIPE BEND WEIGHT - 1513kg



	Dimension from spigot		Dimension from spigot
0	687	6	563
1	679	7	571
2	656	8	594
3	625	9	625
4	594	10	656
5	571	11	679

TAKEN AT 330 c/c FROM POINT 0

Rev	Date	Revision detail	By	Chkd



FP McCann
 Knocknaghirn Quarry, 3 Drumard
 Road, Magherafelt,
 BT45 8QA
 Tel: +44 (0)28 7964 2568
 Fax: +44 (0)28 7964 4224
 www.fpmccann.co.uk

Contract: **FP McCann Standard Pipe Bend**

Title: **DN1050 Easi-Flex Two Piece 11.25° Bend**

Scale: 1:10 @ A1
 Date: May 2010
 Drawn: OOK
 Checked:
 Status: **For Manufacture**

Drawing no: **KN-BD-1050-11.25-SP** Rev:
 1cm A1