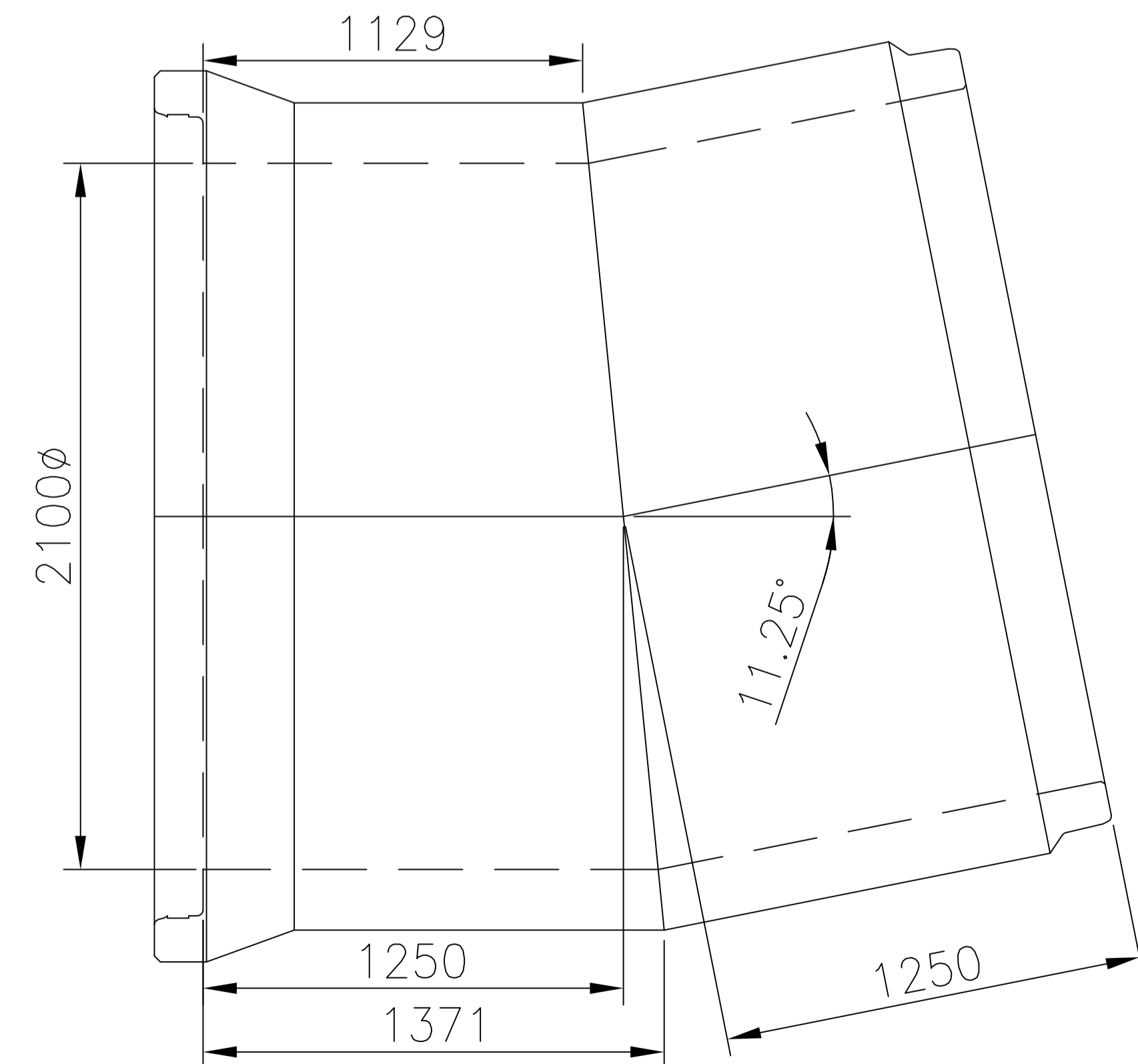
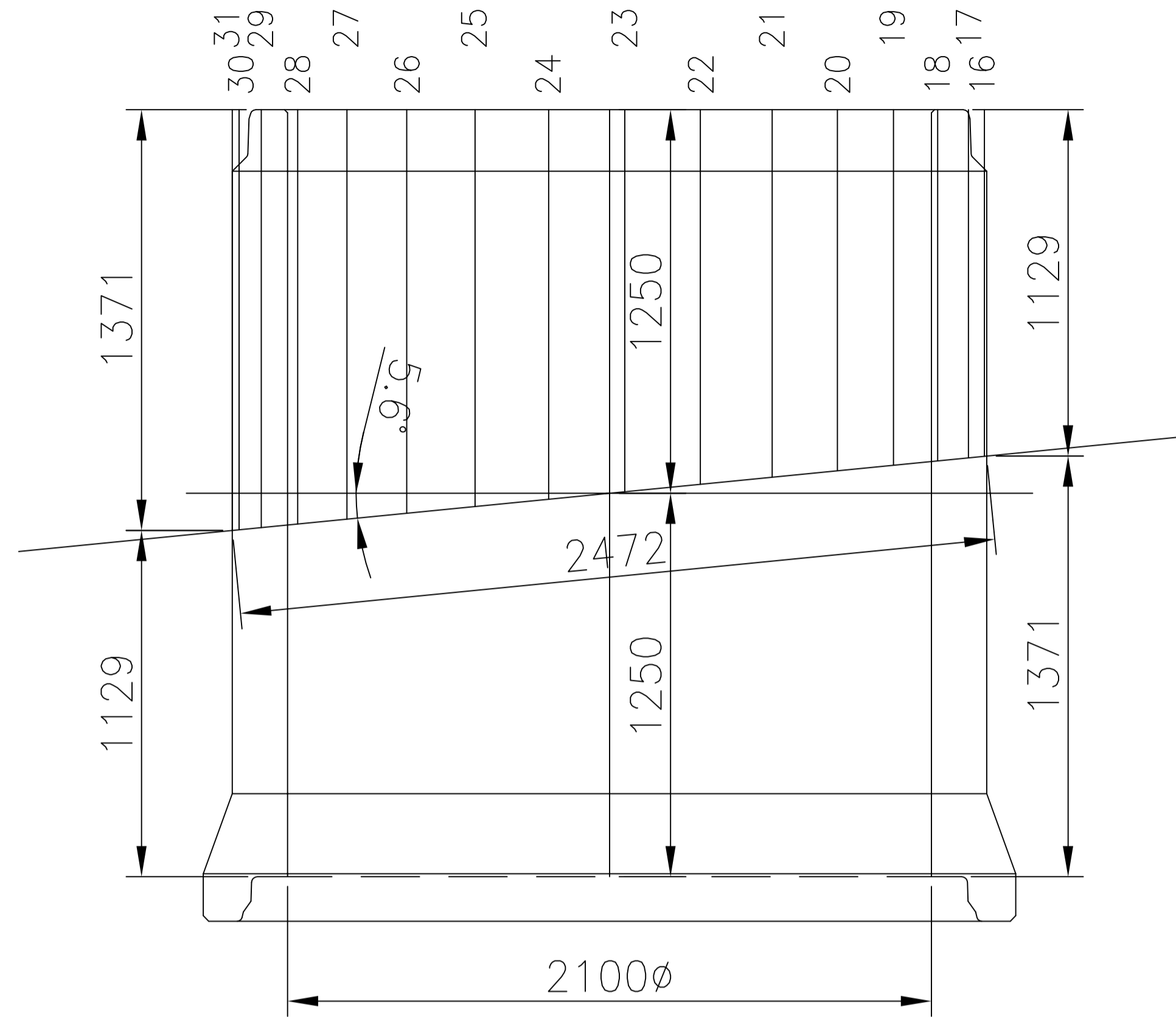
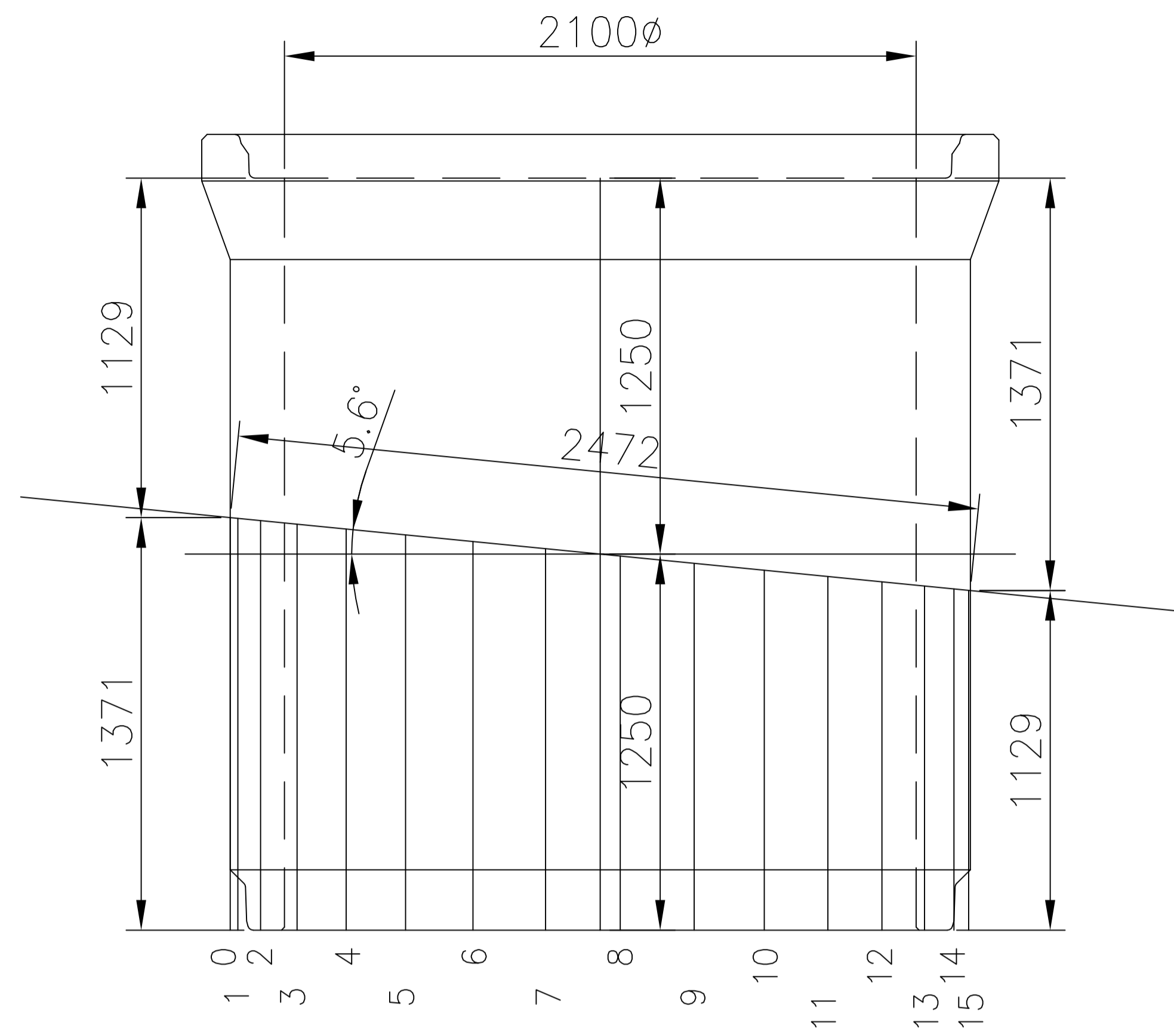


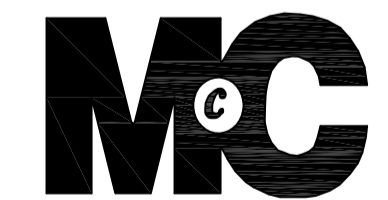
- Notes:
1. ALL DIMS ARE QUALITY CONTROL MEASUREMENTS
  2. FOR SPIGOT & SOCKET DETAILS REFER TO DRAWING KN-OC-2100-PIPE
  3. PIPE BEND WEIGHT - 9160kg



	Dimension from spigot		Dimension from spigot
0	1371	16	1129
1	1369	17	1135
2	1361	18	1145
3	1349	19	1159
4	1333	20	1177
5	1314	21	1198
6	1292	22	1221
7	1268	23	1245
8	1243	24	1270
9	1219	25	1293
10	1196	26	1315
11	1176	27	1334
12	1158	28	1350
13	1144	29	1362
14	1134	30	1369
15	1129	31	1371

TAKEN AT 250 c/c FROM POINT 0

Rev	Date	Revision detail	By	Chkd



**FP McCann**  
 Knocknaghirn Quarry, 3 Drumard  
 Road, Magherafelt,  
 BT45 8QA  
 Tel: +44 (0)28 7964 2558  
 Fax: +44 (0)28 7964 4224  
 www.fpmccann.co.uk

Contract: **FP McCann Standard Pipe Bend**

Title: **DN2100 Easi-Flex Two Piece 11.25° Bend**

Scale: 1:10 @ A1  
 Date: May 2010  
 Drawn: OOK  
 Checked:   
 Status: **For Manufacture**

Drawing no: **KN-BD-2100-11.25-SP** Rev:   
 1cm A1