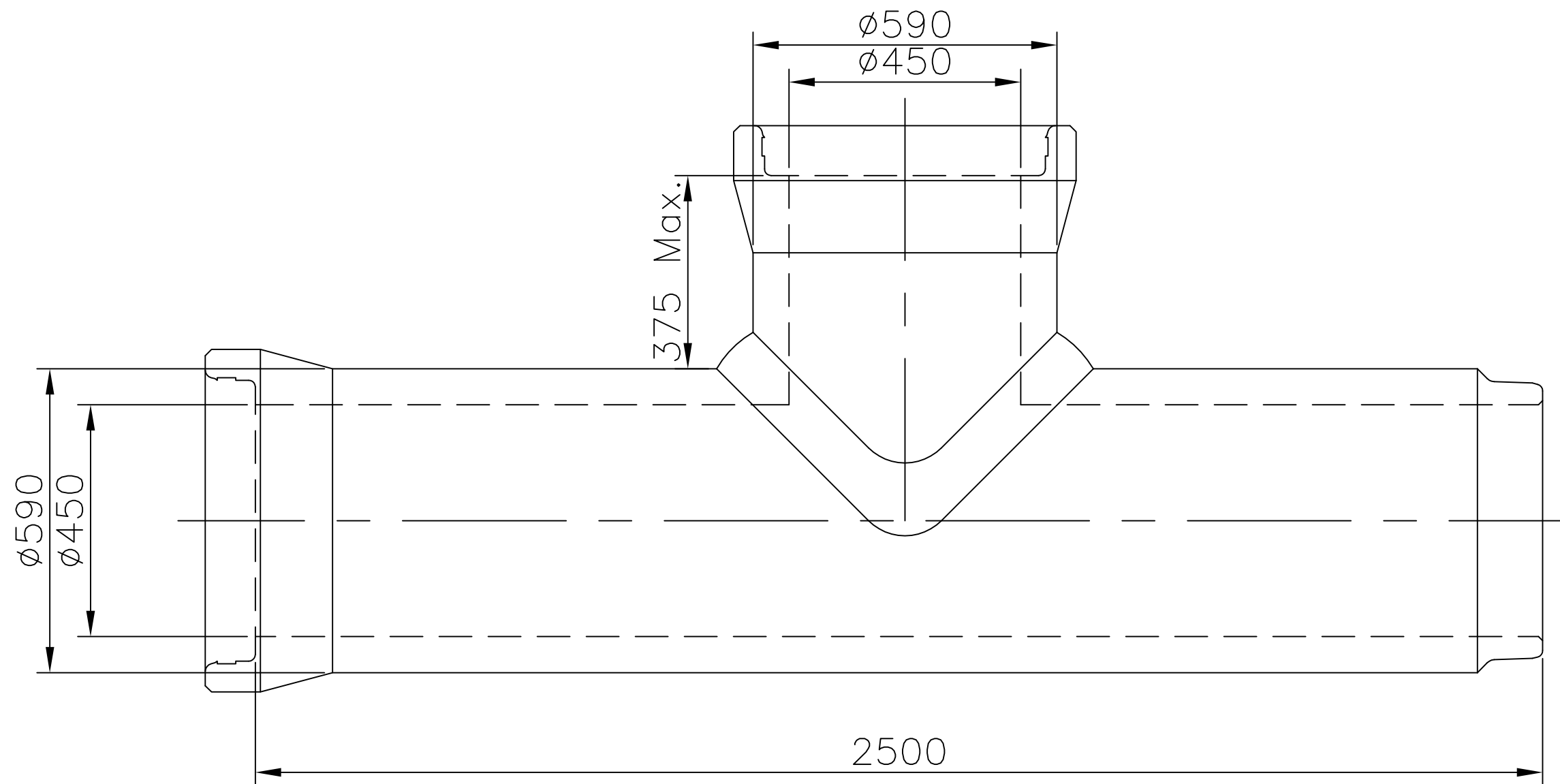


- Notes:
1. ALL DIMS ARE QUALITY CONTROL MEASUREMENTS
  2. FOR SPIGOT & SOCKET DETAILS REFER TO DRAWING KN-OC-0450-PIPE
  3. PIPE JUNCTION WEIGHT - 854kg
  4. JUNCTION CONSTRUCTED IN ACCORDANCE WITH BS 5911 PT. 100



Rev	Date	Revision detail	By	Chkd



**FP McCann**  
 Knocknaghirin Quarry, 3 Drumard  
 Road, Magherafelt,  
 BT45 8QA  
 Tel: +44 (0)28 7964 2556  
 Fax: +44 (0)28 7964 4224  
 www.fpmccann.co.uk

Contract: **FP McCann Standard Junction**

Title: **DN450 x 450 Easi-Flex Right Angle (90°) Socket Equal Junction**

Scale: 1:10  
 Date: May 2010  
 Drawn: OOK  
 Checked:   
 Status: **For Manufacture**

Drawing no: **KN-JU-0450-90-SOC-SP** Rev:   
 1cm A1