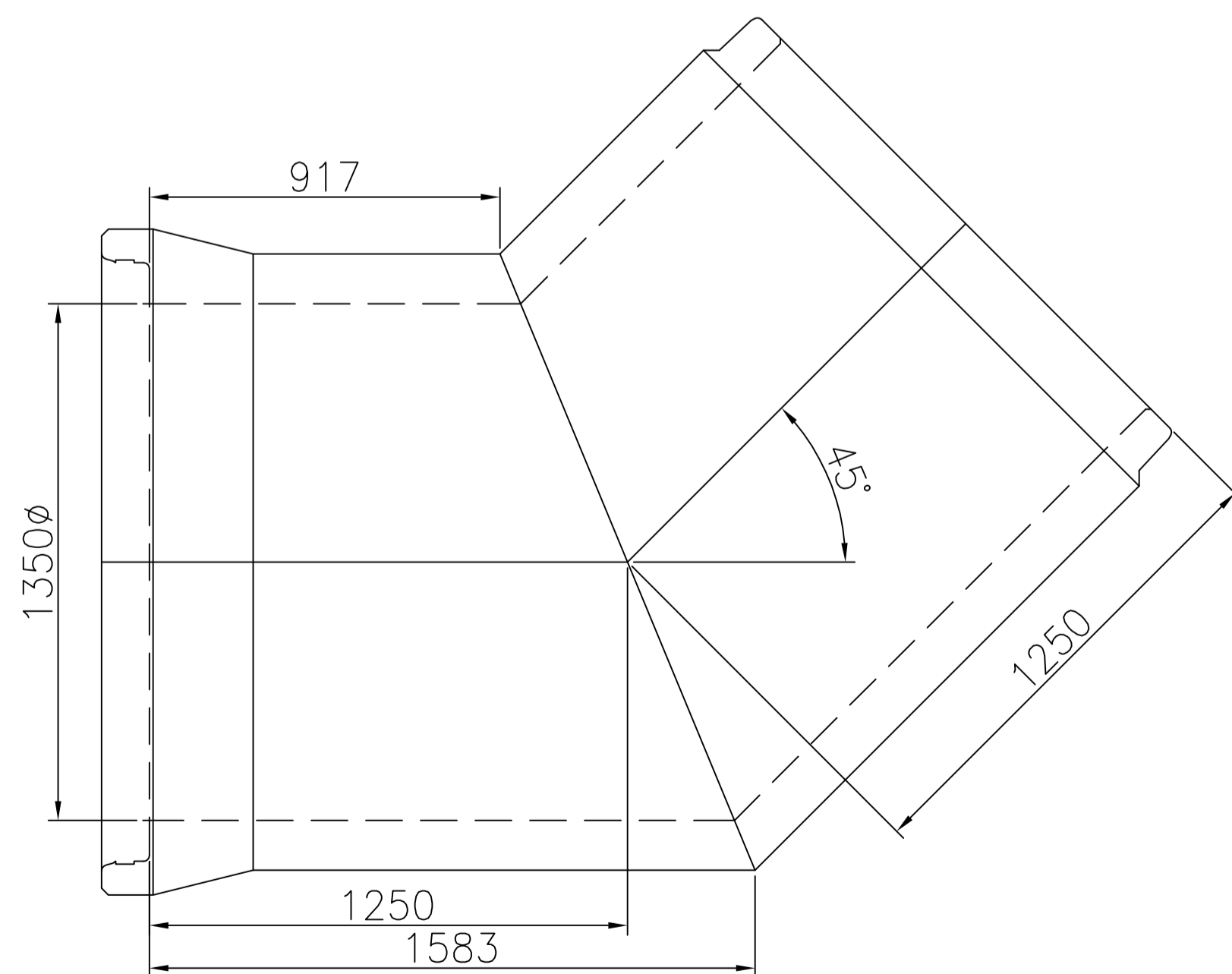
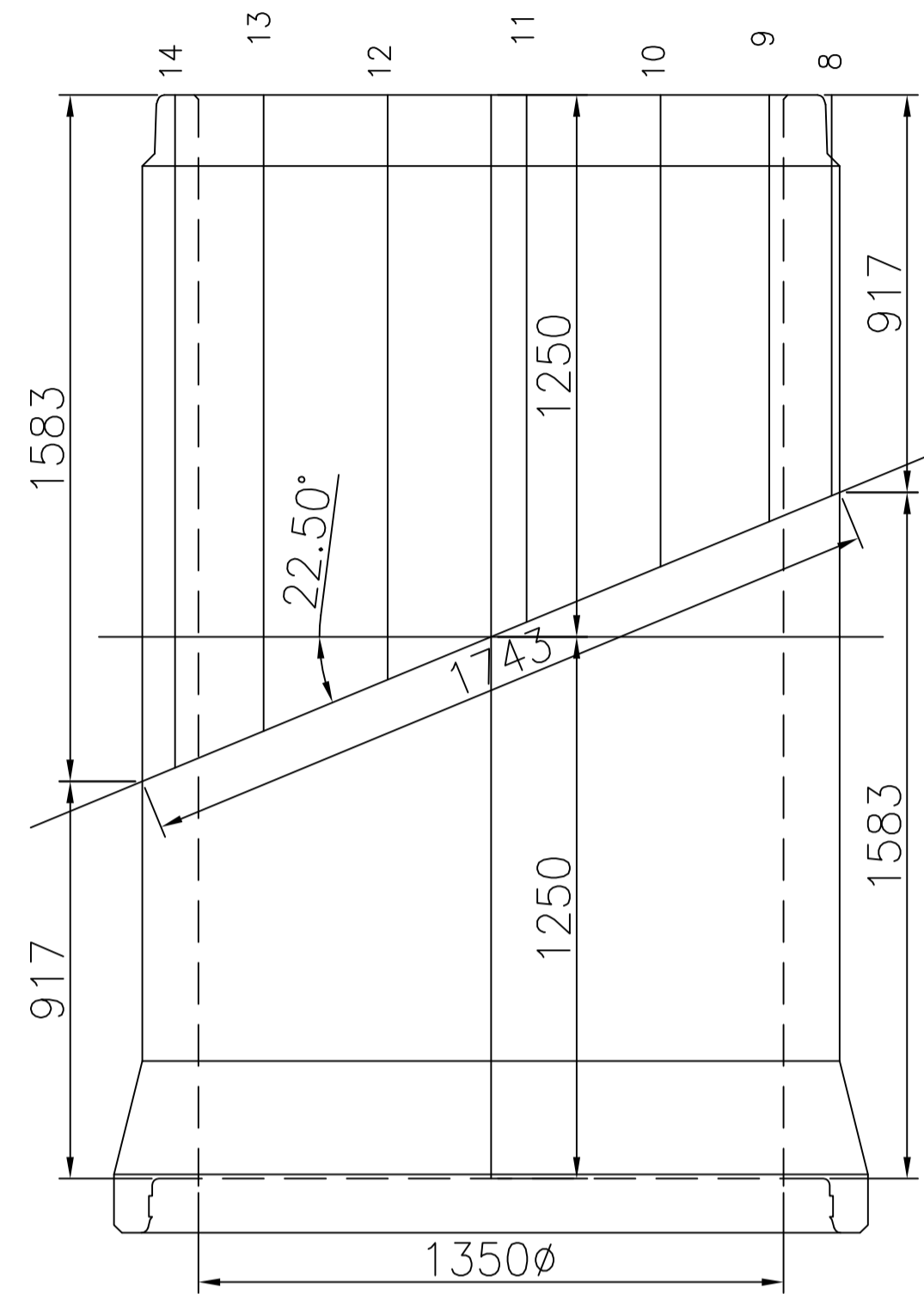
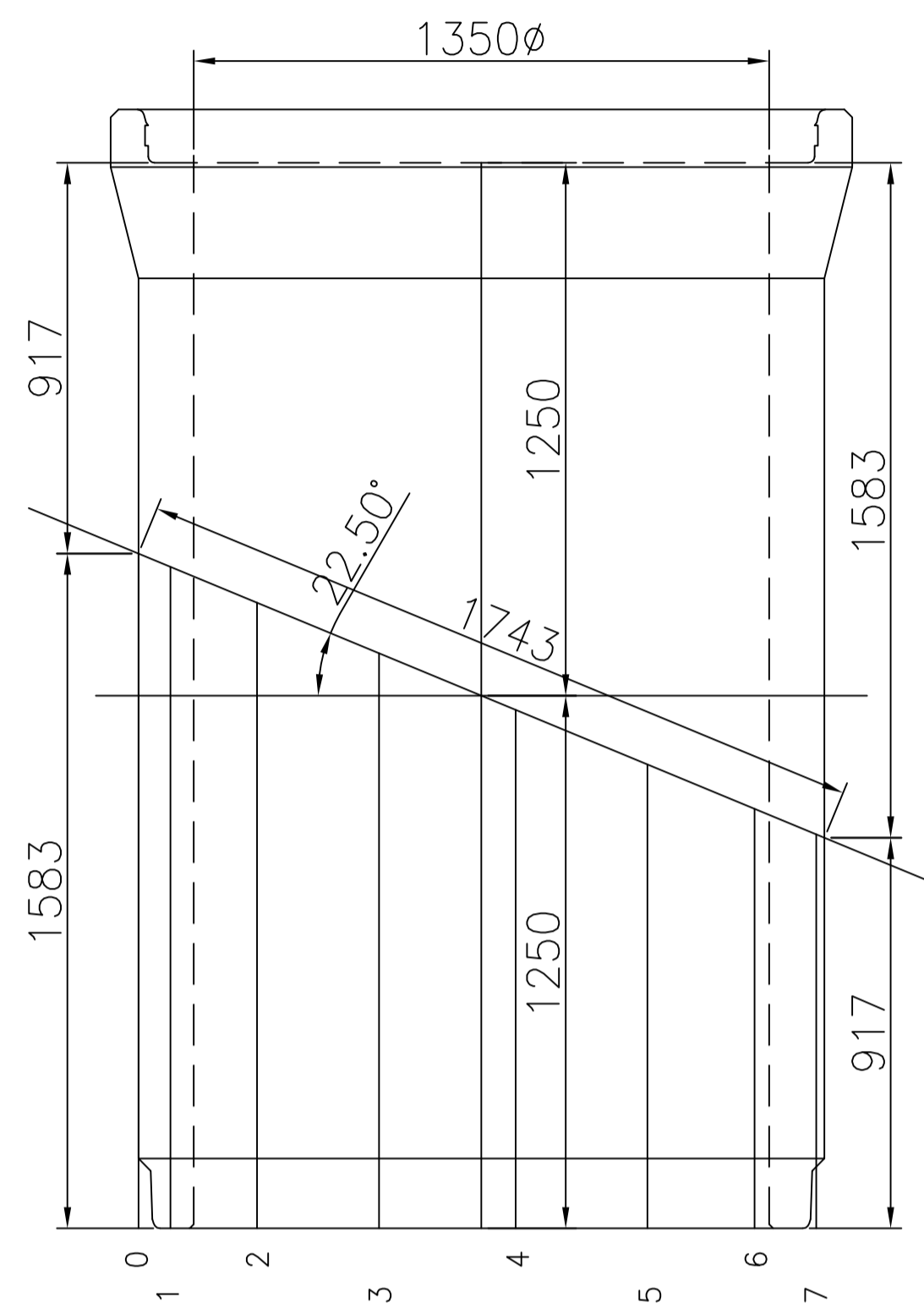


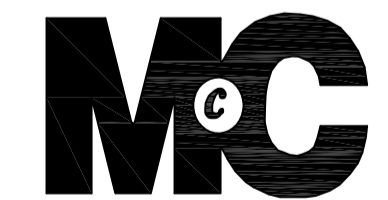
- Notes:
1. ALL DIMS ARE QUALITY CONTROL MEASUREMENTS
 2. FOR SPIGOT & SOCKET DETAILS REFER TO DRAWING KN-OC-1350-PIPE
 3. PIPE BEND WEIGHT - 4416kg



	Dimension from spigot		Dimension from spigot
0	1583	8	924
1	1552	9	984
2	1468	10	1088
3	1349	11	1216
4	1217	12	1349
5	1089	13	1467
6	984	14	1552
7	924	-	-

TAKEN AT 350 c/c FROM POINT 0

Rev	Date	Revision detail	By	Chkd



FP McCann
 Knocknaghirn Quarry, 3 Drumard
 Road, Magherafelt,
 BT45 8QA
 Tel: +44 (0)28 7964 2558
 Fax: +44 (0)28 7964 4224
 www.fpmccann.co.uk

Contract: **FP McCann Standard Pipe Bend**

Title: **DN1350 Easi-Flex Two Piece 45° Bend**

Scale: 1:10 @ A1
 Date: May 2010
 Drawn: OOK
 Checked:
 Status: **For Manufacture**

Drawing no: **KN-BD-1350-45-SP** Rev:
 1cm A1