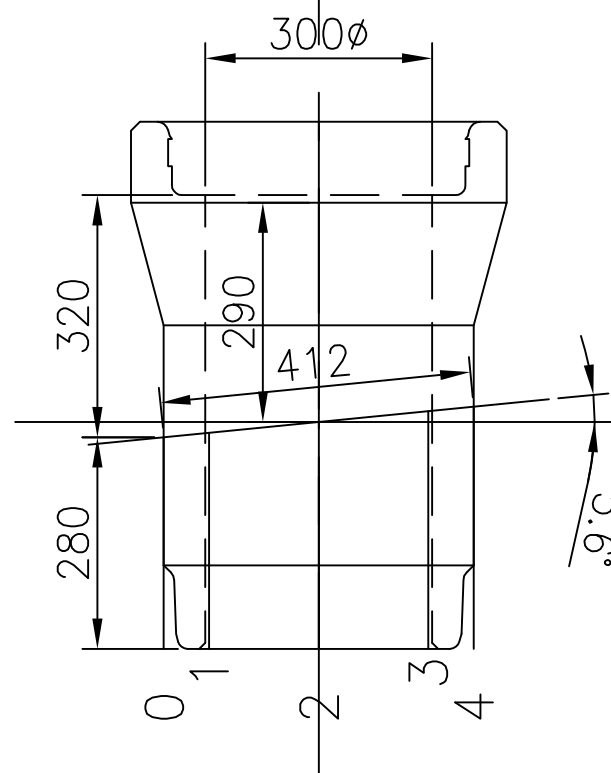
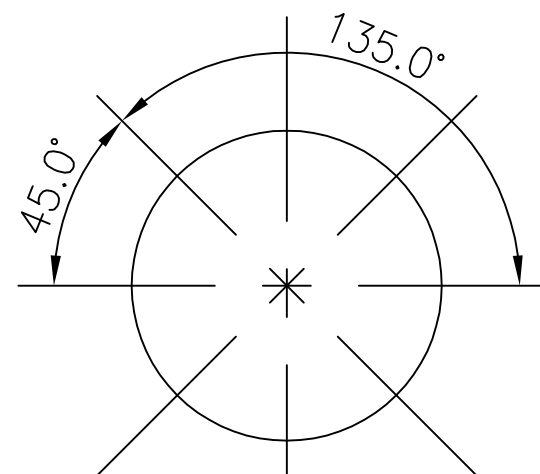
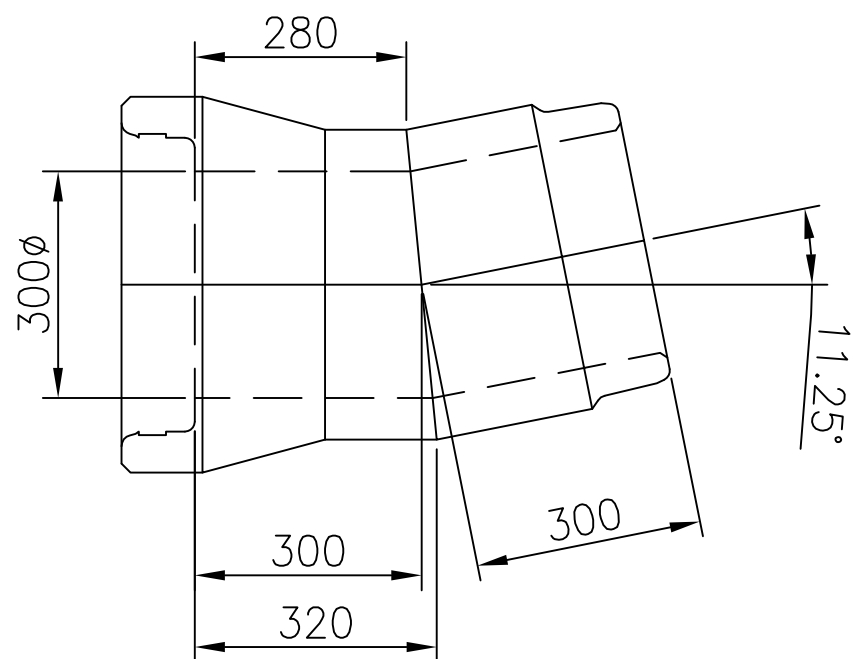


- Notes:
1. ALL DIMS ARE QUALITY CONTROL MEASUREMENTS
 2. FOR SPIGOT & SOCKET DETAILS REFER TO DRAWING KN-OC-0300-PIPE
 3. PIPE BEND WEIGHT - 138kg



	Dimension from spigot
0	280
1	286
2	300
3	314
4	320

Rev	Date	Revision detail	By	Chkd



FP McCann
 Kinscloughrim Quarry, 3 Drumard
 Road, Magherafelt,
 BT45 8QA
 Tel: +44 (0)28 7964 2556
 Fax: +44 (0)28 7964 4224
 www.fpmccann.co.uk

Contract: **FP McCann Standard Pipe Bend**

Title: **DN300 Easi-Flex Two Piece 11.25° Bend**

Scale: 1:10 @ A1
 Date: May 2010
 Drawn: OOK
 Checked: **For Manufacture**

Drawing no: **KN-BD-0300-11.25-SP** Rev:

1cm A1