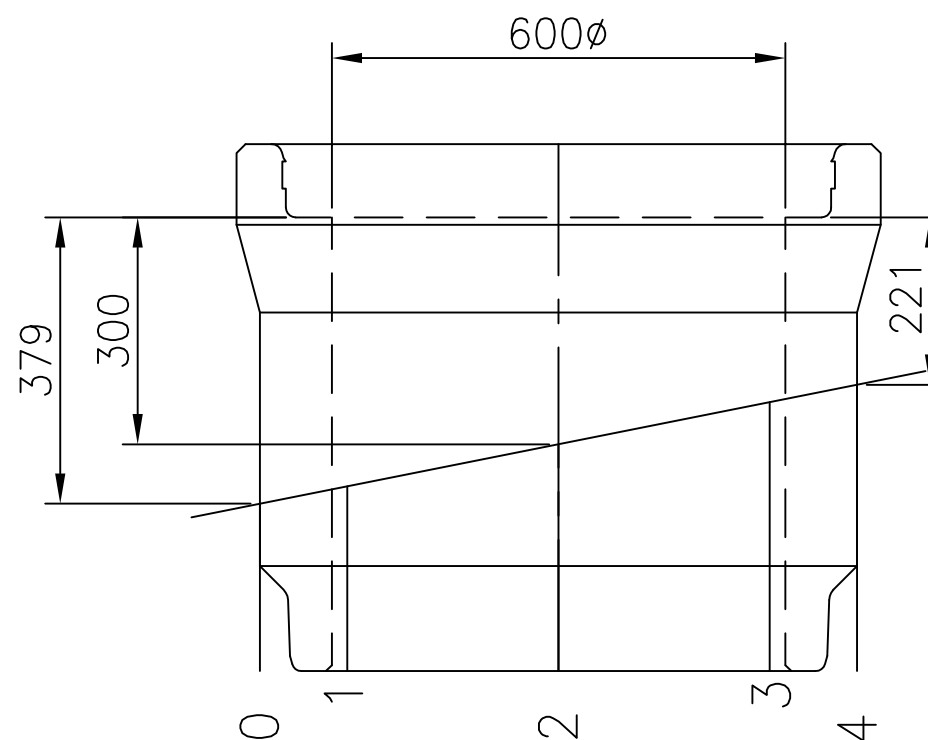
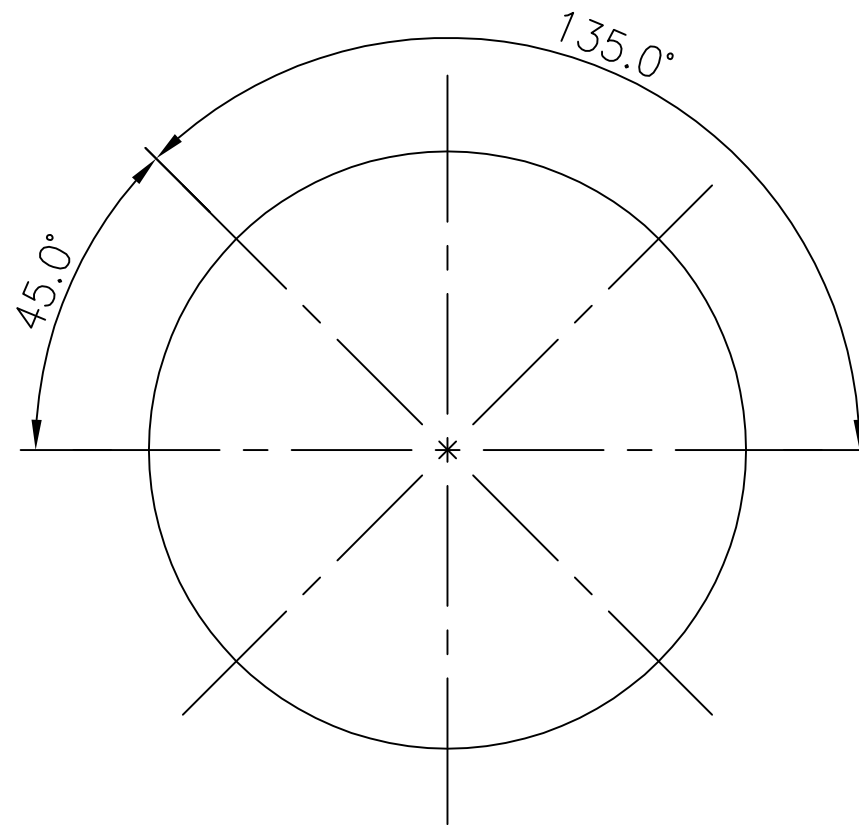
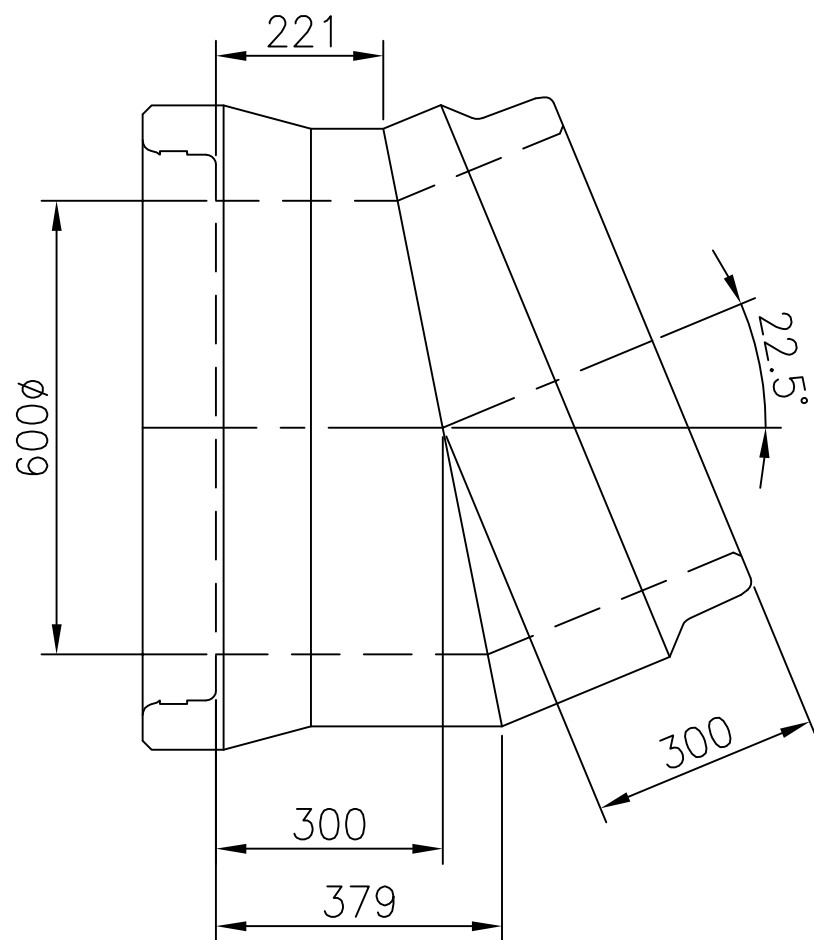


- Notes:
1. ALL DIMS ARE QUALITY CONTROL MEASUREMENTS
 2. FOR SPIGOT & SOCKET DETAILS REFER TO DRAWING KN-OC-600-PIPE
 3. PIPE BEND WEIGHT - 358kg



	Dimension from spigot
0	221
1	244
2	300
3	356
4	379

Rev	Date	Revision detail	By	Chkd



FP McCann
 Kinneloughin Quarry, 3 Drumard
 Road, Magherafelt,
 BT45 8QA
 Tel: +44 (0)28 7964 2556
 Fax: +44 (0)28 7964 4224
 www.fpmccann.co.uk

Contract: **FP McCann Standard Pipe Bend**

Title: **DN600 Easi-Flex Two Piece 22.5° Bend**

Scale: 1:10 @ A1
 Date: May 2010
 Drawn: OOK
 Checked:
 Status: **For Manufacture**

Drawing no: **KN-BD-0600-22.5-SP** Rev:
 1cm A1