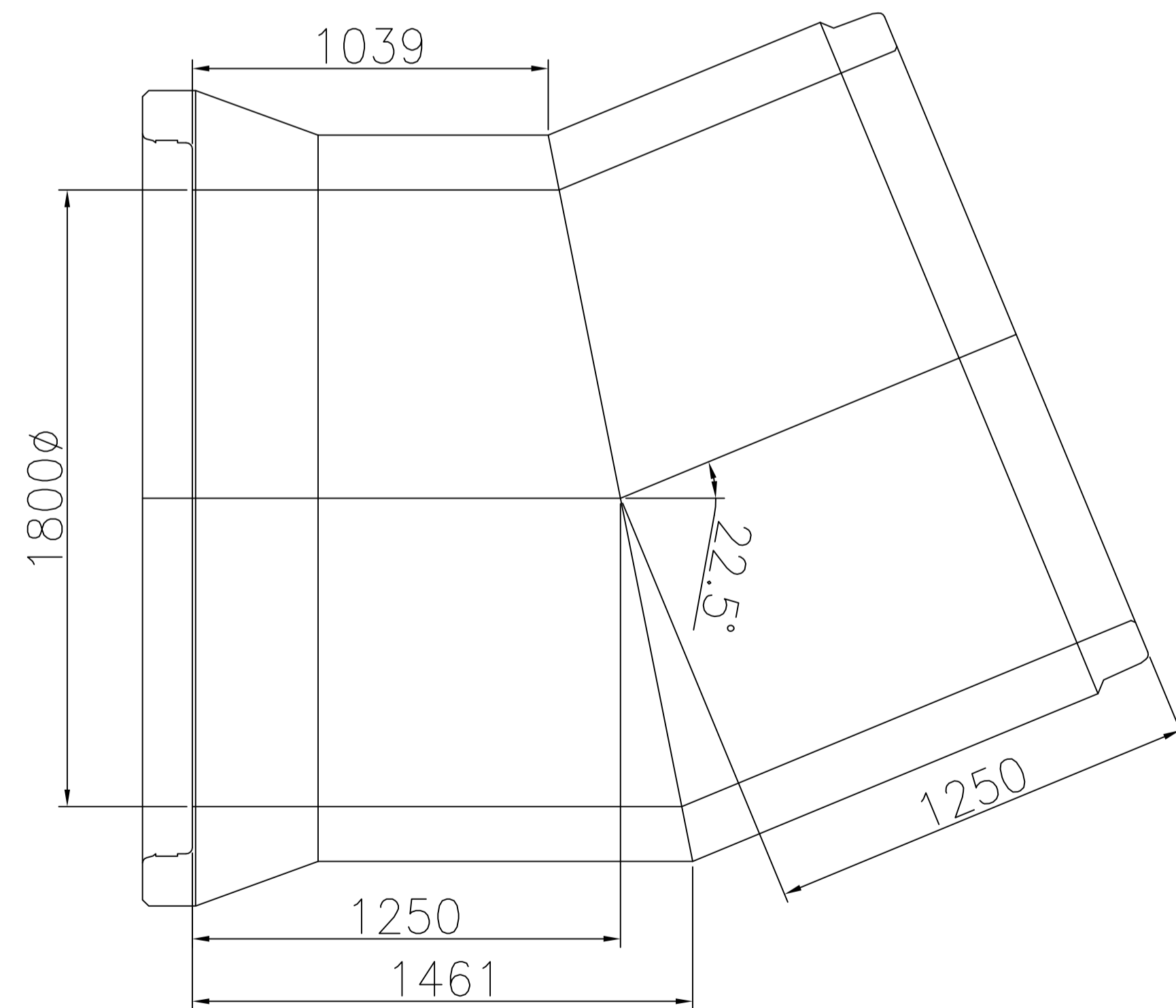
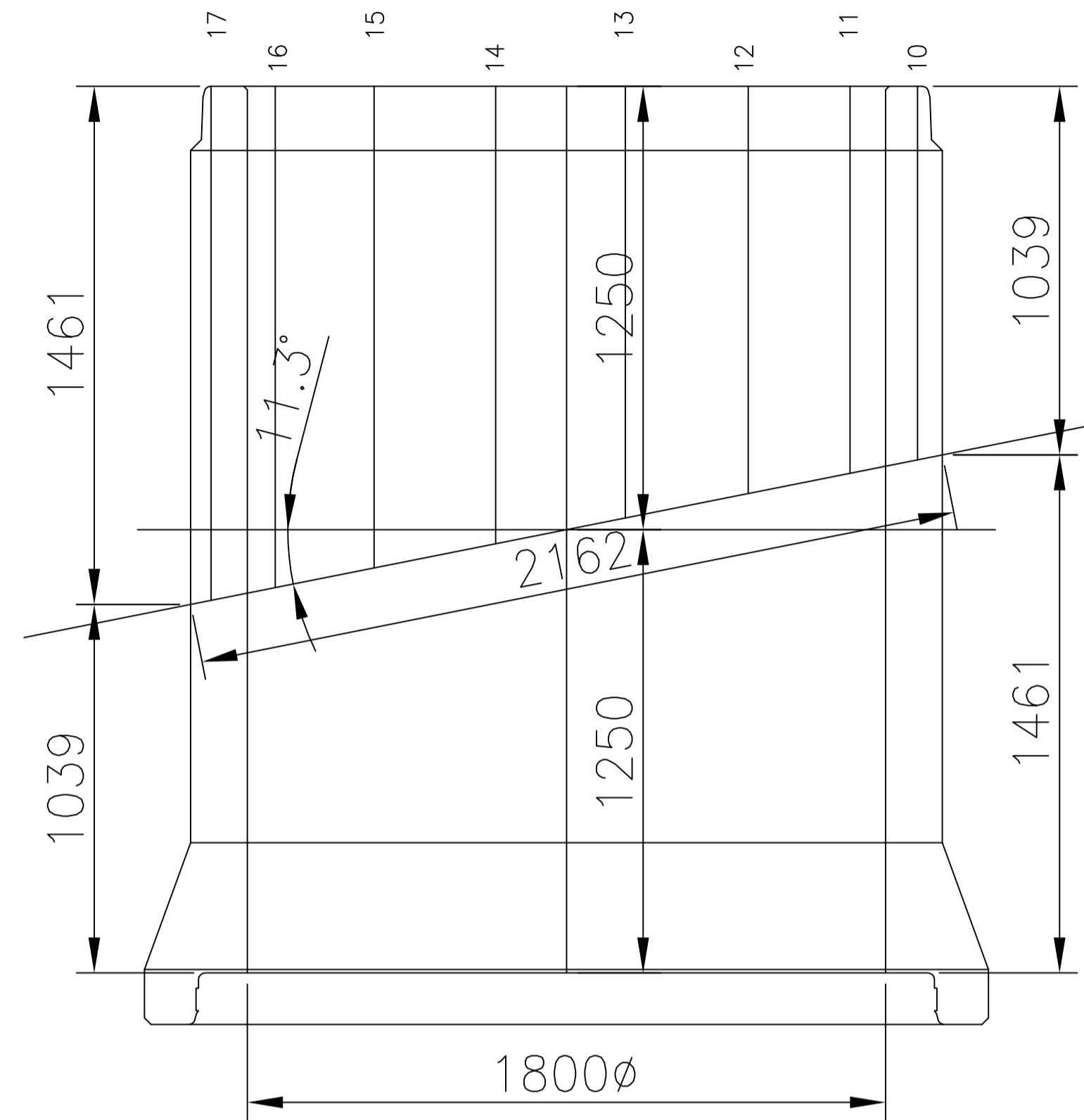
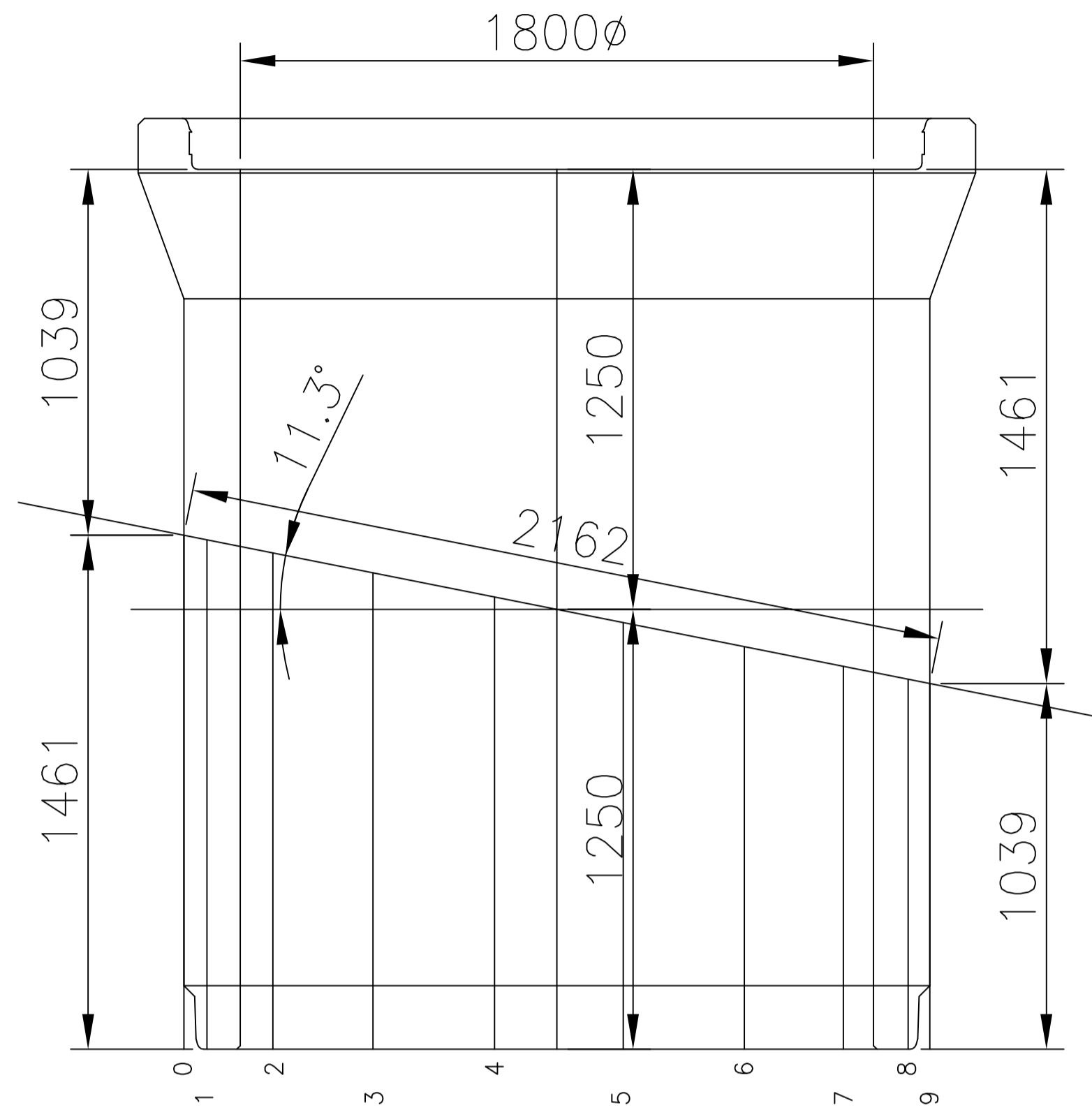


- Notes:
1. ALL DIMS ARE QUALITY CONTROL MEASUREMENTS
 2. FOR SPIGOT & SOCKET DETAILS REFER TO DRAWING KN-OC-1800-PIPE
 3. PIPE BEND WEIGHT - 7302kg



	Dimension from spigot		Dimension from spigot
0	1461	9	1039
1	1448	10	1053
2	1411	11	1091
3	1354	12	1148
4	1285	13	1217
5	1213	14	1290
6	1144	15	1358
7	1088	16	1413
8	1051	17	1449

TAKEN AT 375 c/c FROM POINT 0

Rev	Date	Revision detail	By	Chkd



FP McCann
 Knocknaghirn Quarry, 3 Drumard
 Road, Magherafelt,
 BT45 8QA
 Tel: +44 (0)28 7964 2558
 Fax: +44 (0)28 7964 4224
 www.fpmccann.co.uk

Contract: **FP McCann Standard Pipe Bend**

Title: **DN1800 Easi-Flex Two Piece 22.5° Bend**

Scale: 1:10 @ A1
 Date: May 2010
 Drawn: OOK
 Checked:
 Status: **For Manufacture**

Drawing no: **KN-BD-1800-22.5-SP** Rev:
 1cm A1