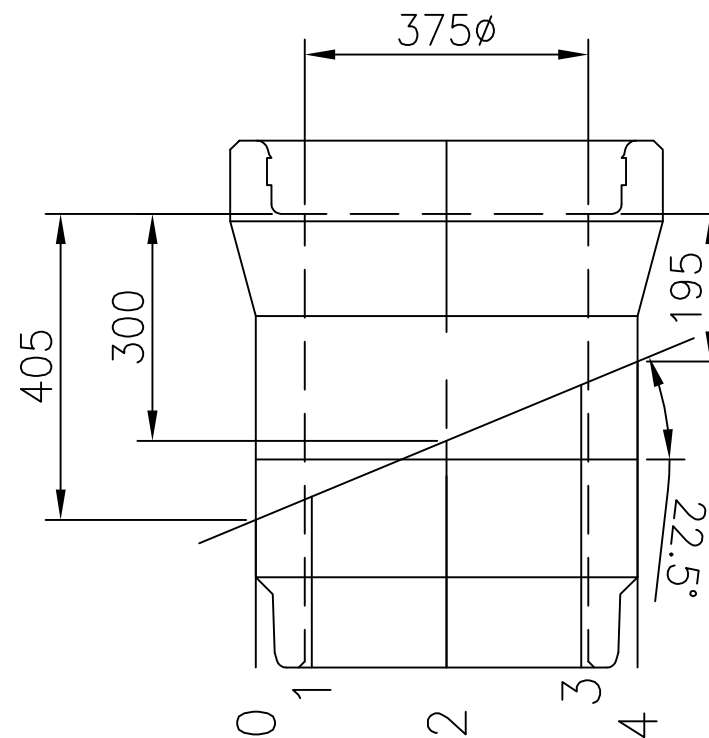
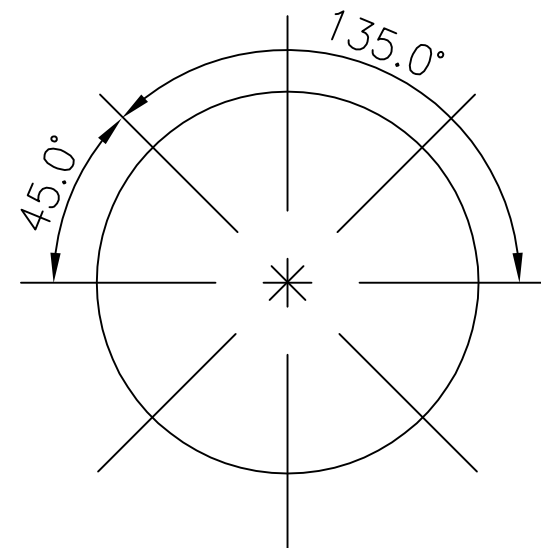
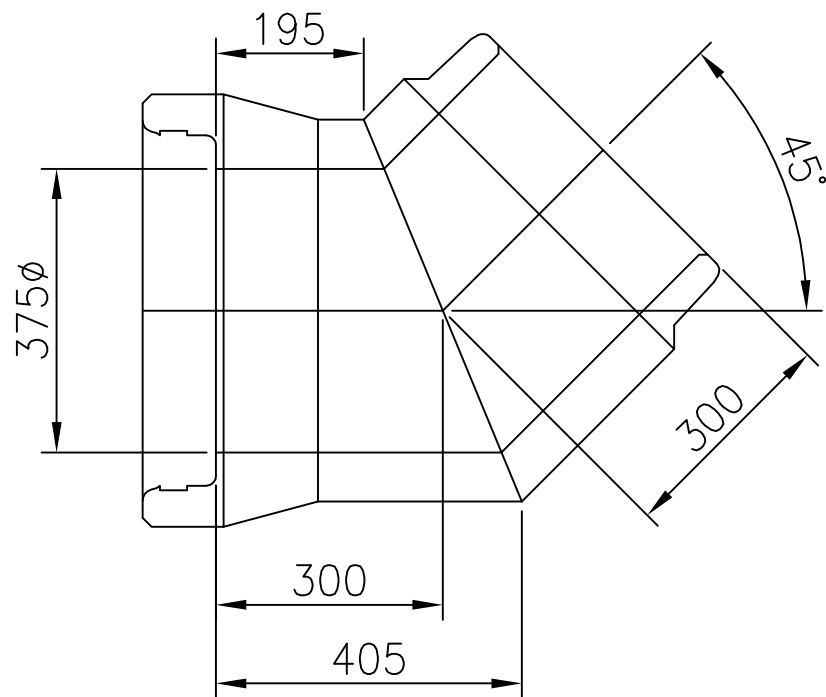


- Notes:
1. ALL DIMS ARE QUALITY CONTROL MEASUREMENTS
 2. FOR SPIGOT & SOCKET DETAILS REFER TO DRAWING KN-DN-0375-PIPE
 3. PIPE BEND WEIGHT - 176kg



	Dimension from spigot
0	195
1	226
2	300
3	374
4	405

Rev	Date	Revision detail	By	Chkd



FP McCann
 Kinscoloughrim Quarry, 3 Drumard
 Road, Magherafelt,
 BT45 8QA
 Tel: +44 (0)28 7964 2556
 Fax: +44 (0)28 7964 4224
 www.fpmccann.co.uk

Contract: **FP McCann Standard Pipe Bend**

Title: **DN375 Easi-Flex Two Piece 45° Bend**

Scale: 1:10 @ A1
 Date: May 2010
 Drawn: OOK
 Checked:
 Status: **For Manufacture**

Drawing no: **KN-BD-0375-45-SP** Rev:
 1cm A1