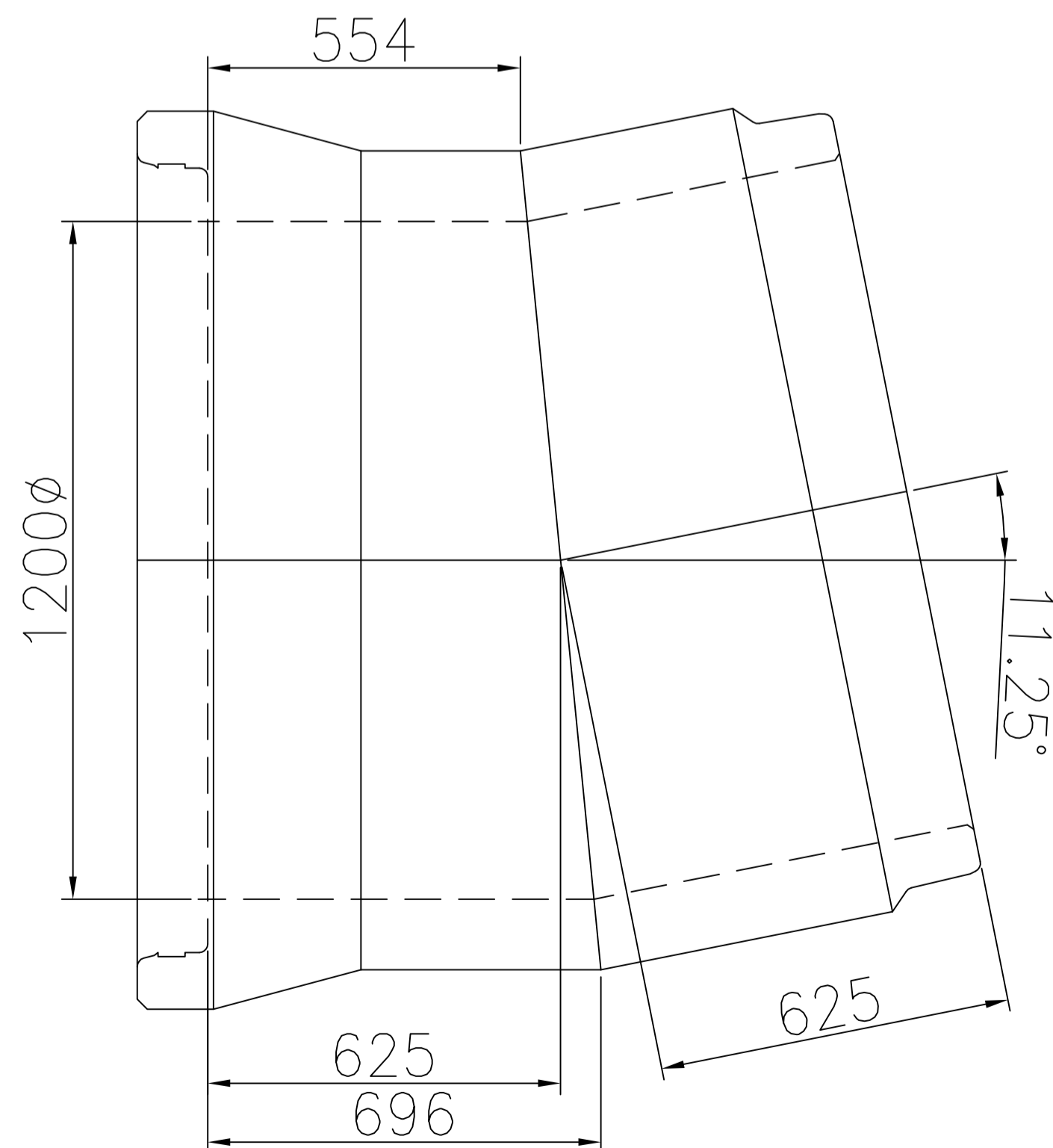
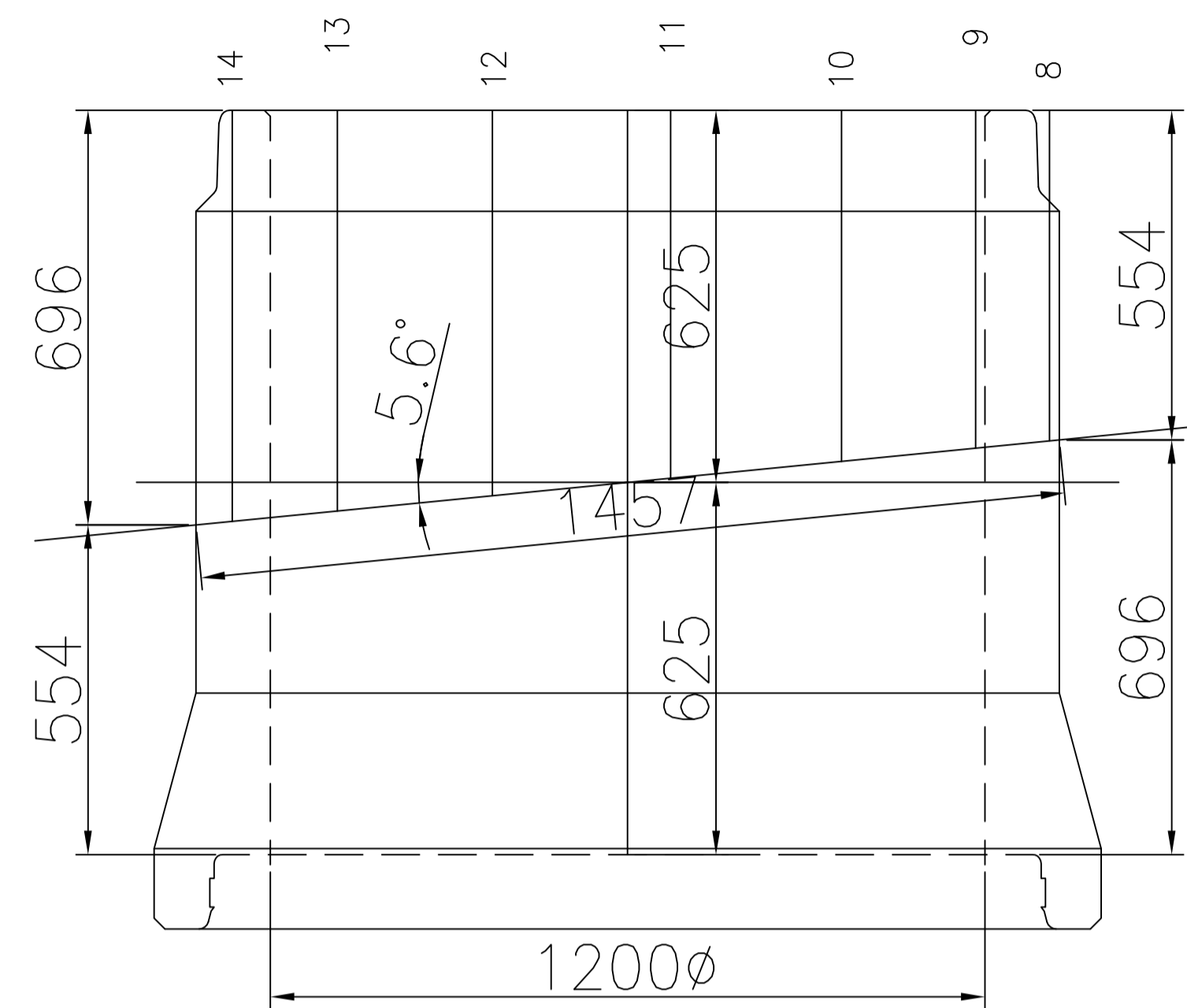
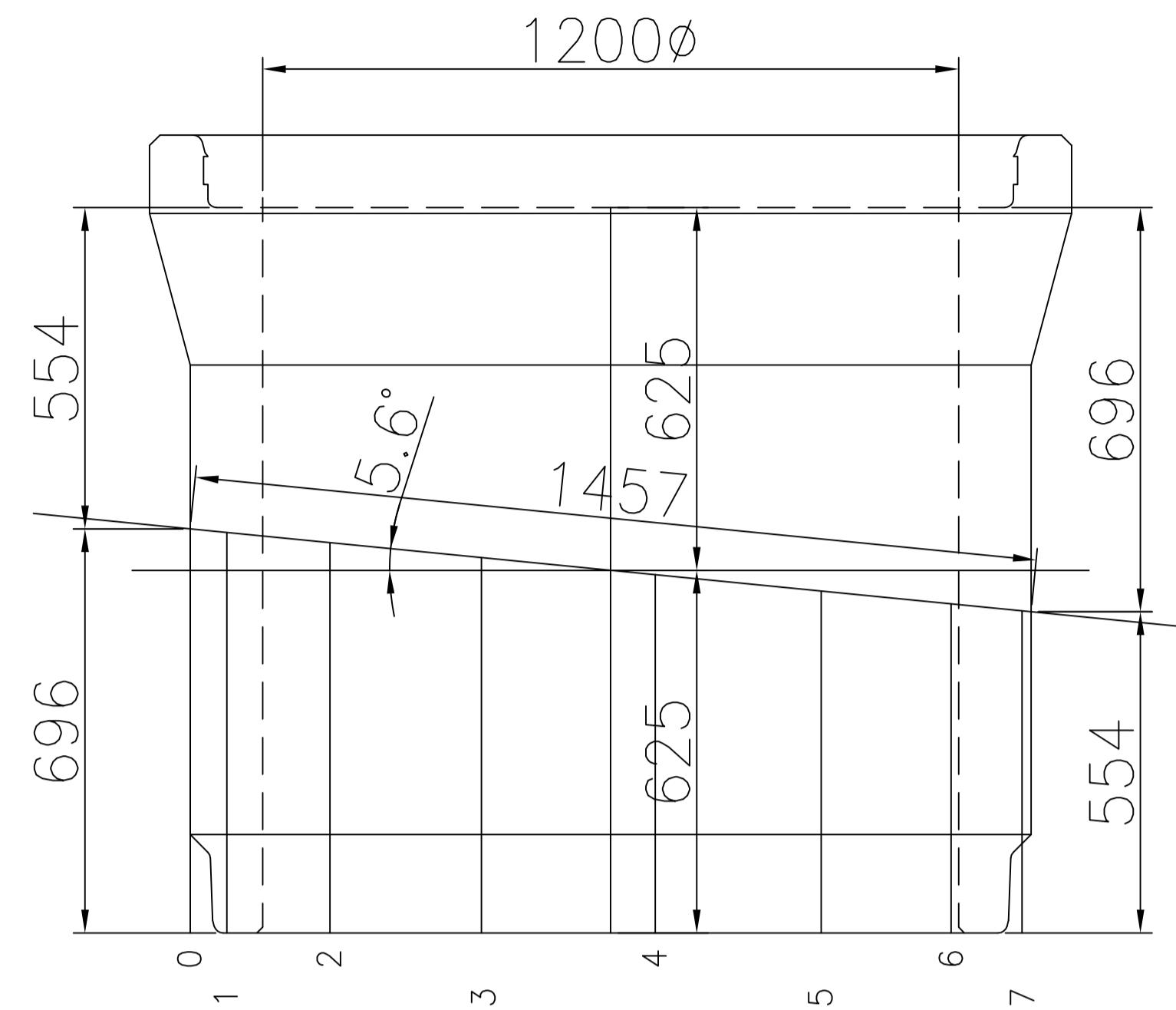


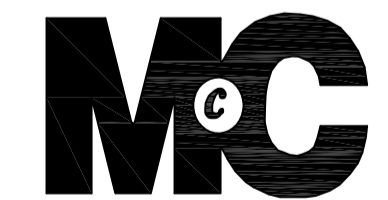
- Notes:
1. ALL DIMS ARE QUALITY CONTROL MEASUREMENTS
 2. FOR SPIGOT & SOCKET DETAILS REFER TO DRAWING KN-DN-1200-PIPE
 3. PIPE BEND WEIGHT - 1956kg



	Dimension from spigot		Dimension from spigot
0	696	8	555
1	690	9	567
2	673	10	590
3	647	11	618
4	617	12	647
5	589	13	670
6	567	14	690
7	555	-	-

TAKEN AT 305 c/c FROM POINT 0

Rev	Date	Revision detail	By	Chkd



FP McCann
 Knocknaghirn Quarry, 3 Drumard
 Road, Magherafelt,
 BT45 8QA
 Tel: +44 (0)28 7964 2558
 Fax: +44 (0)28 7964 4224
 www.fpmccann.co.uk

Contract: **FP McCann Standard Pipe Bend**

Title: **DN1200 Eas-Flex Two Piece 11.25° Bend**

Scale: 1:10 @ A1
 Date: May 2010
 Drawn: OOK
 Checked: **For Manufacture**

Drawing no: **KN-BD-1200-11.25-SP** Rev:

1cm A1

1cm A1