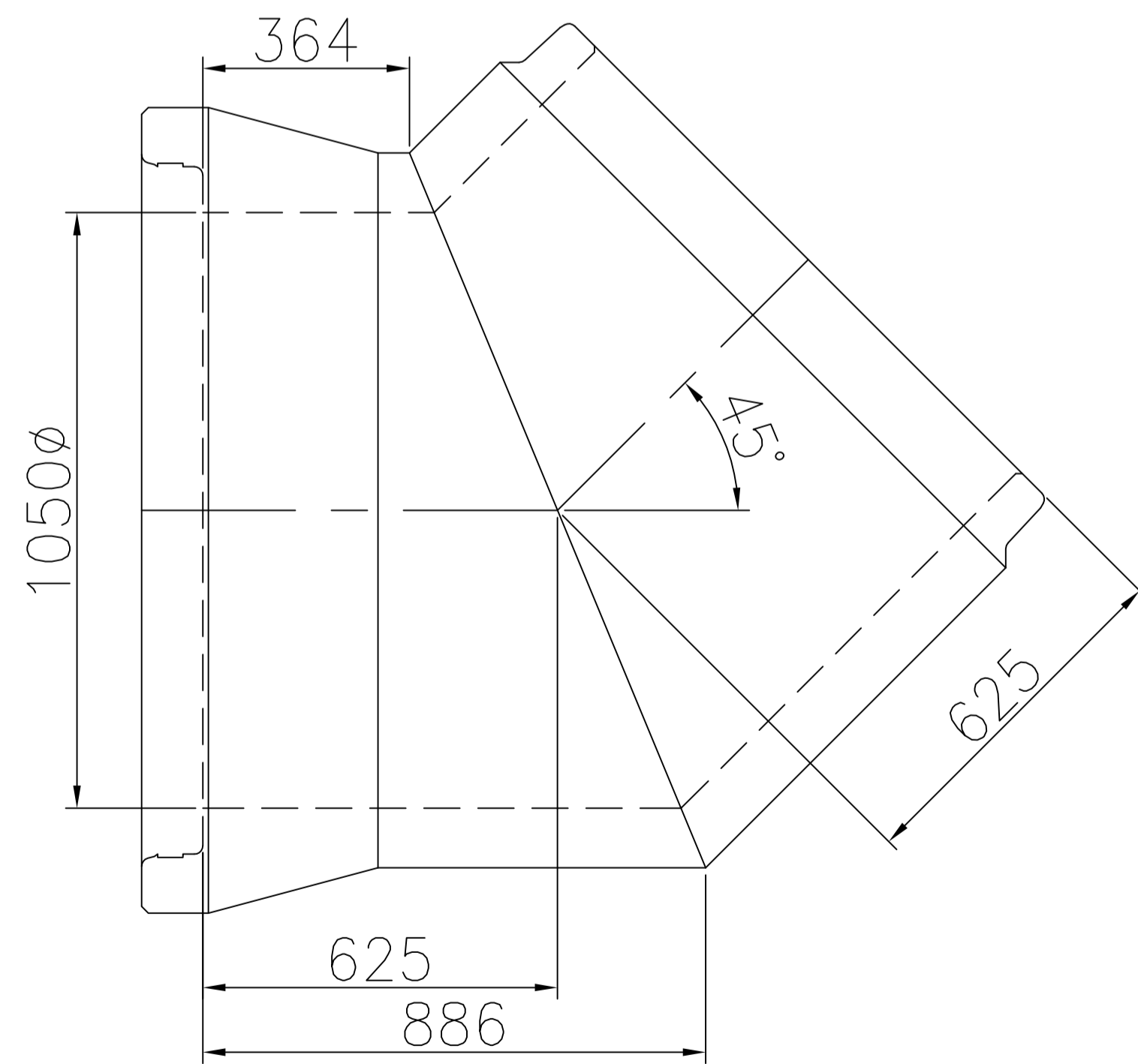
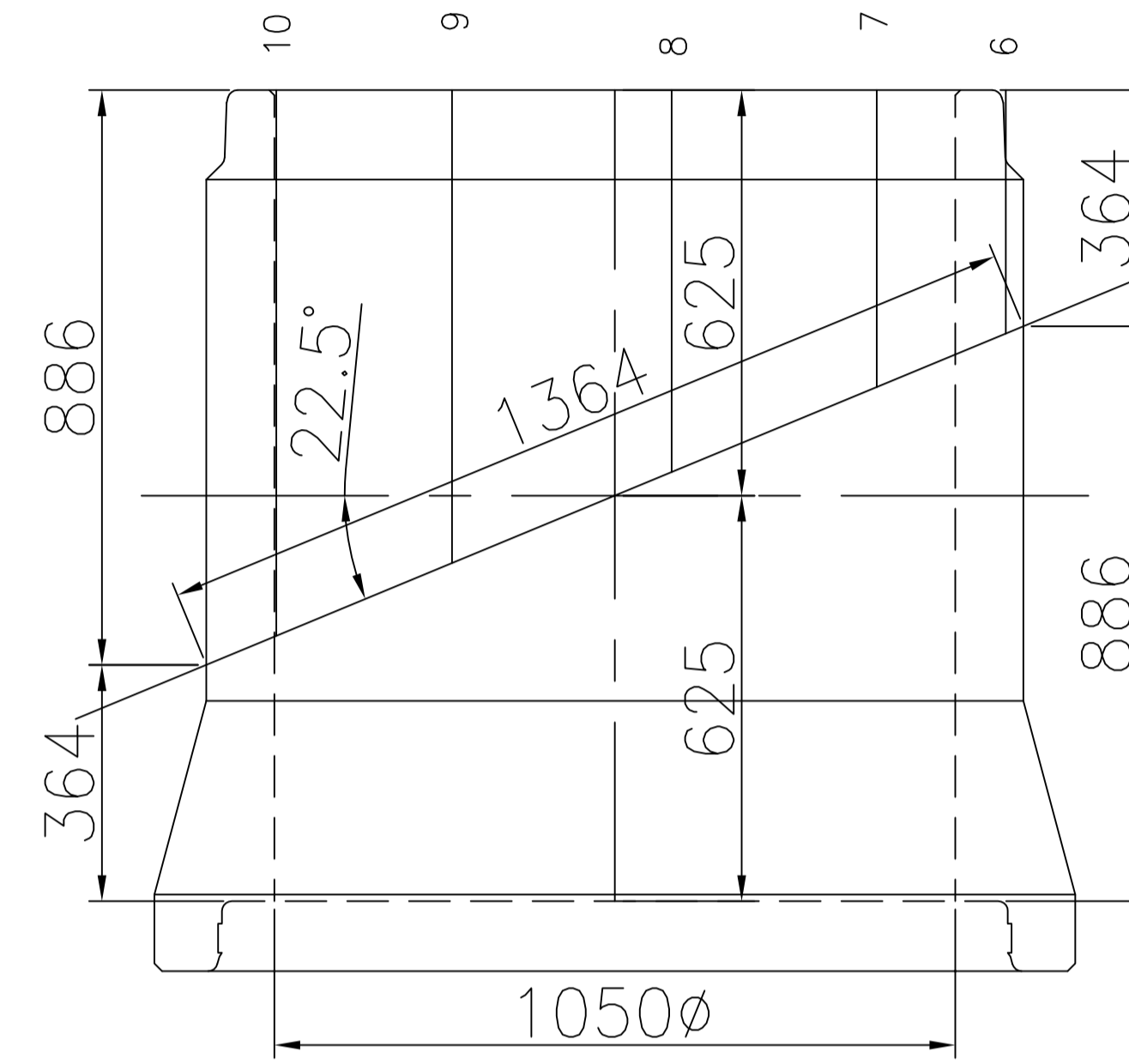
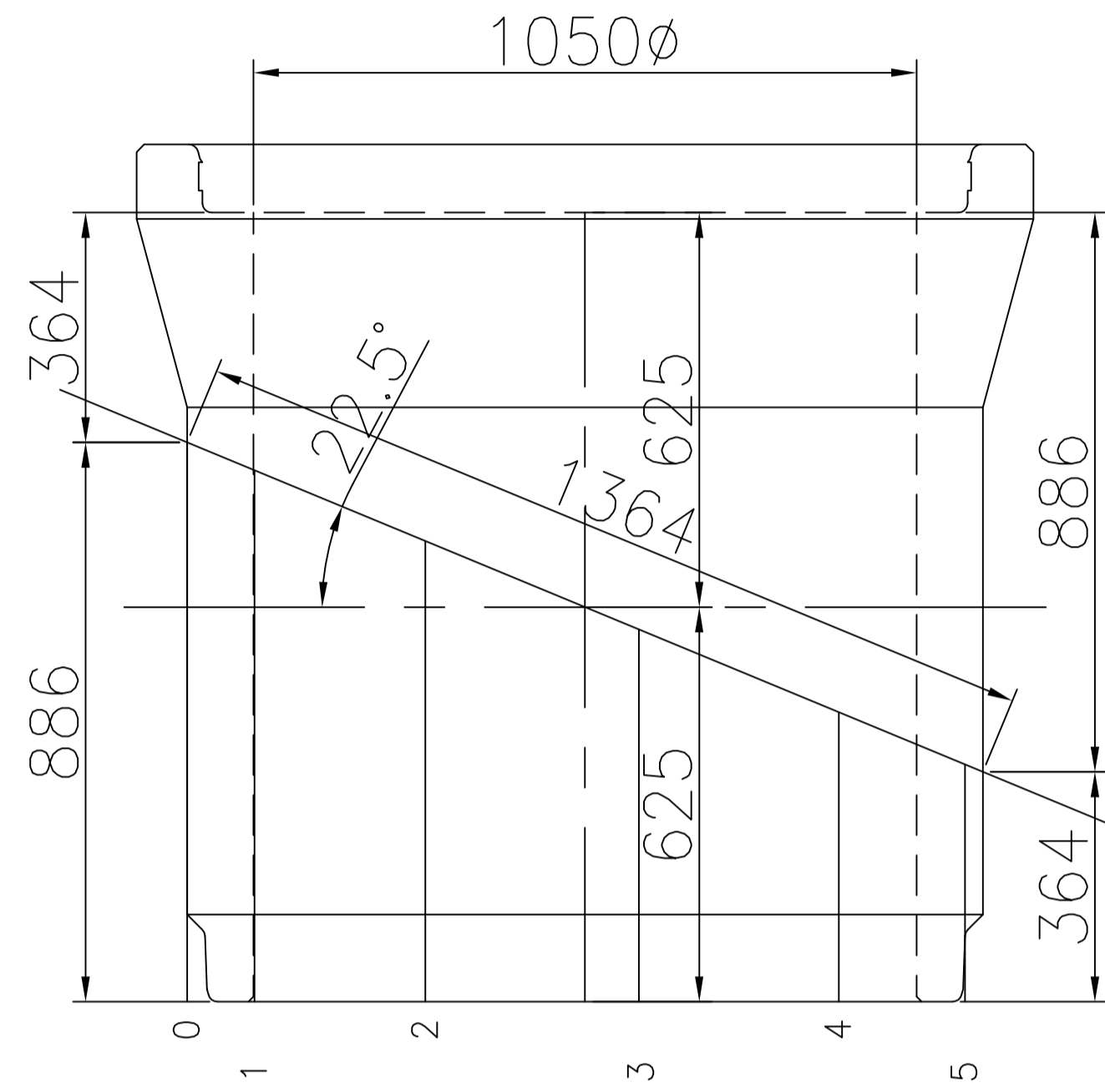


- Notes:
1. ALL DIMS ARE QUALITY CONTROL MEASUREMENTS
  2. FOR SPIGOT & SOCKET DETAILS REFER TO DRAWING KN-OC-1050-PIPE
  3. PIPE BEND WEIGHT - 1513kg



|   | Dimension from spigot |    | Dimension from spigot |
|---|-----------------------|----|-----------------------|
| 0 | 886                   | 6  | 376                   |
| 1 | 842                   | 7  | 459                   |
| 2 | 730                   | 8  | 590                   |
| 3 | 590                   | 9  | 730                   |
| 4 | 459                   | 10 | 842                   |
| 5 | 376                   | -  | -                     |

TAKEN AT 375 c/c FROM POINT 0

| Rev | Date | Revision detail | By | Chkd |
|-----|------|-----------------|----|------|
|     |      |                 |    |      |

**MC** FP McCann  
 Knocknaghirn Quarry, 3 Drumard  
 Road, Magherafelt,  
 BT45 8QA  
 Tel: +44 (0)28 7964 2558  
 Fax: +44 (0)28 7964 4224  
 www.fpmccann.co.uk

Contract: **FP McCann Standard Pipe Bend**

Title: **DN1050 Eas-Flex Two Piece 45° Bend**

Scale: 1:10 @ A1  
 Date: May 2010  
 Drawn: OOK  
 Checked:   
 Status: **For Manufacture**

Drawing no: **KN-BD-1050-45-SP** Rev:   
 1cm A1