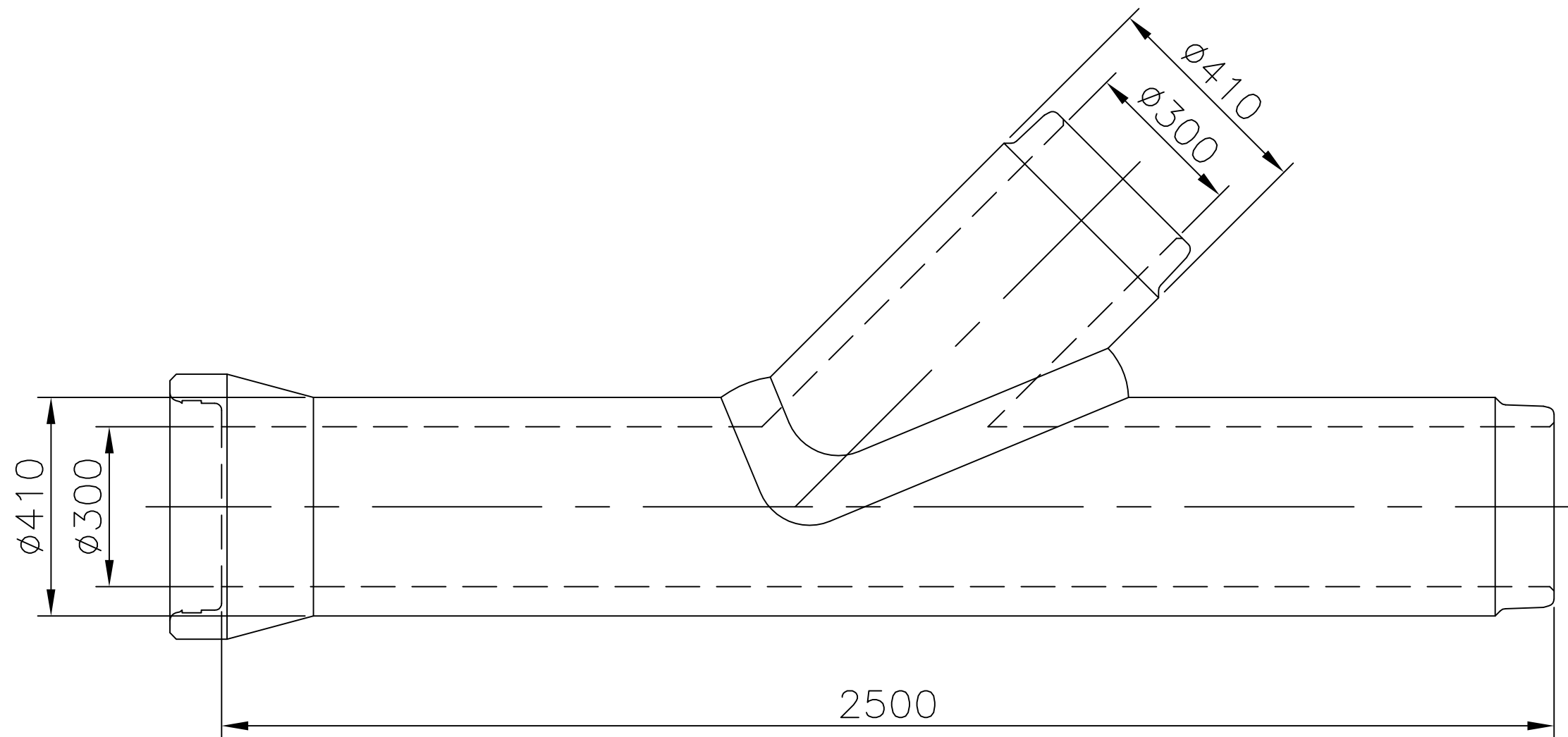


- Notes:
1. ALL DIMS ARE QUALITY CONTROL MEASUREMENTS
 2. FOR SPIGOT & SOCKET DETAILS REFER TO DRAWING KN-OC-0300-PIPE
 3. PIPE JUNCTION WEIGHT - 520kg
 4. JUNCTION CONSTRUCTED IN ACCORDANCE WITH BS 5911 PT. 100



1cm A1

Rev	Date	Revision detail	By	Chkd

MC **FP McCann**
 Kinshoughlin Quarry, 3 Drumard
 Road, Magherafelt,
 BT45 8QA
 Tel: +44 (0)28 7964 2556
 Fax: +44 (0)28 7964 4224
 www.fpmccann.co.uk

Contract: **FP McCann Standard Junction**

Title: **DN300 x 300 Easi-Flex Oblique(45°) Spigot (Tumbling Bay) Equal Junction**

Scale: 1:10 Status: **For Manufacture**
 Date: May 2010
 Drawn: OOK
 Checked:

Drawing no: **KN-JU-0300-45-SPT-SP** Rev: