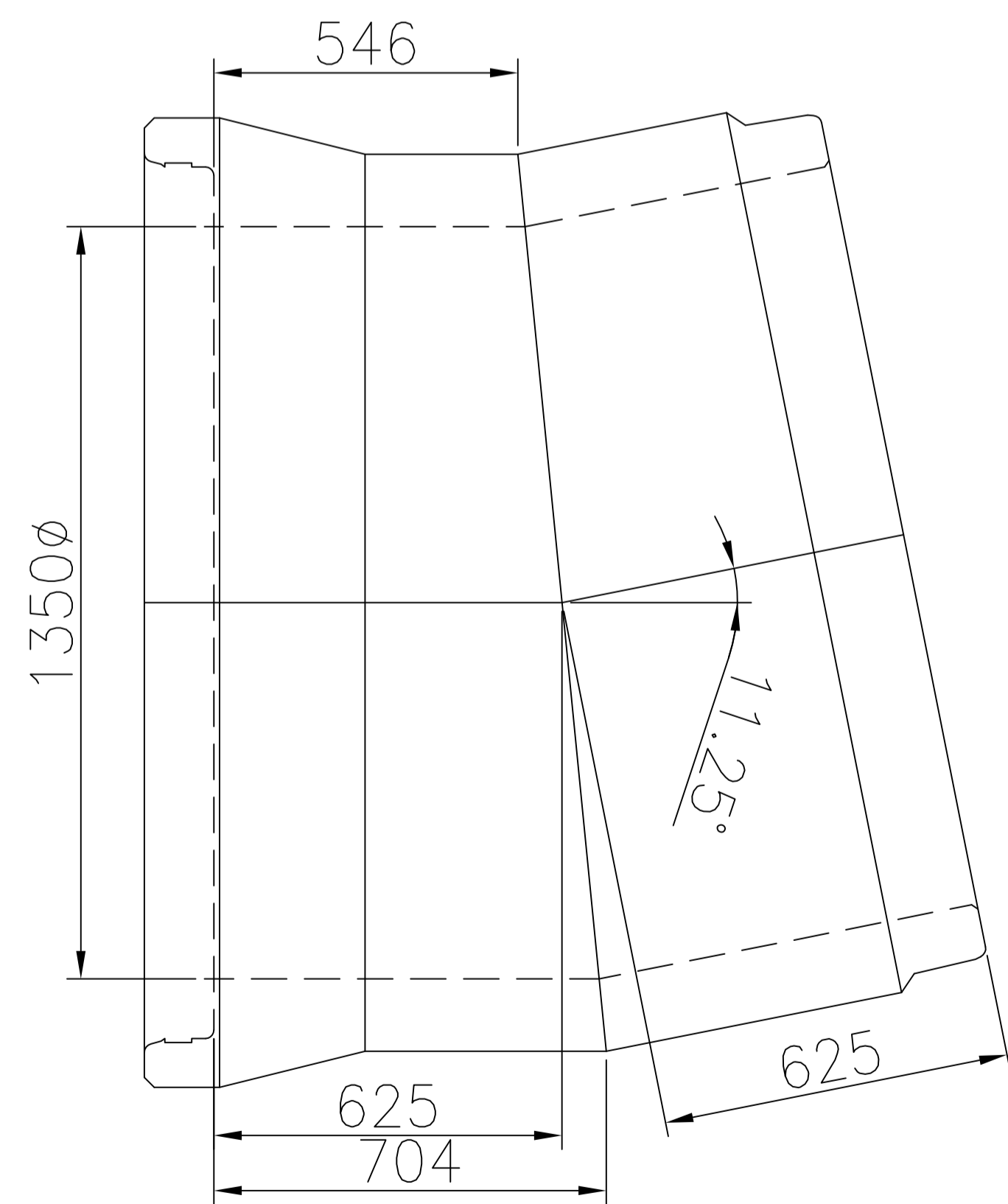
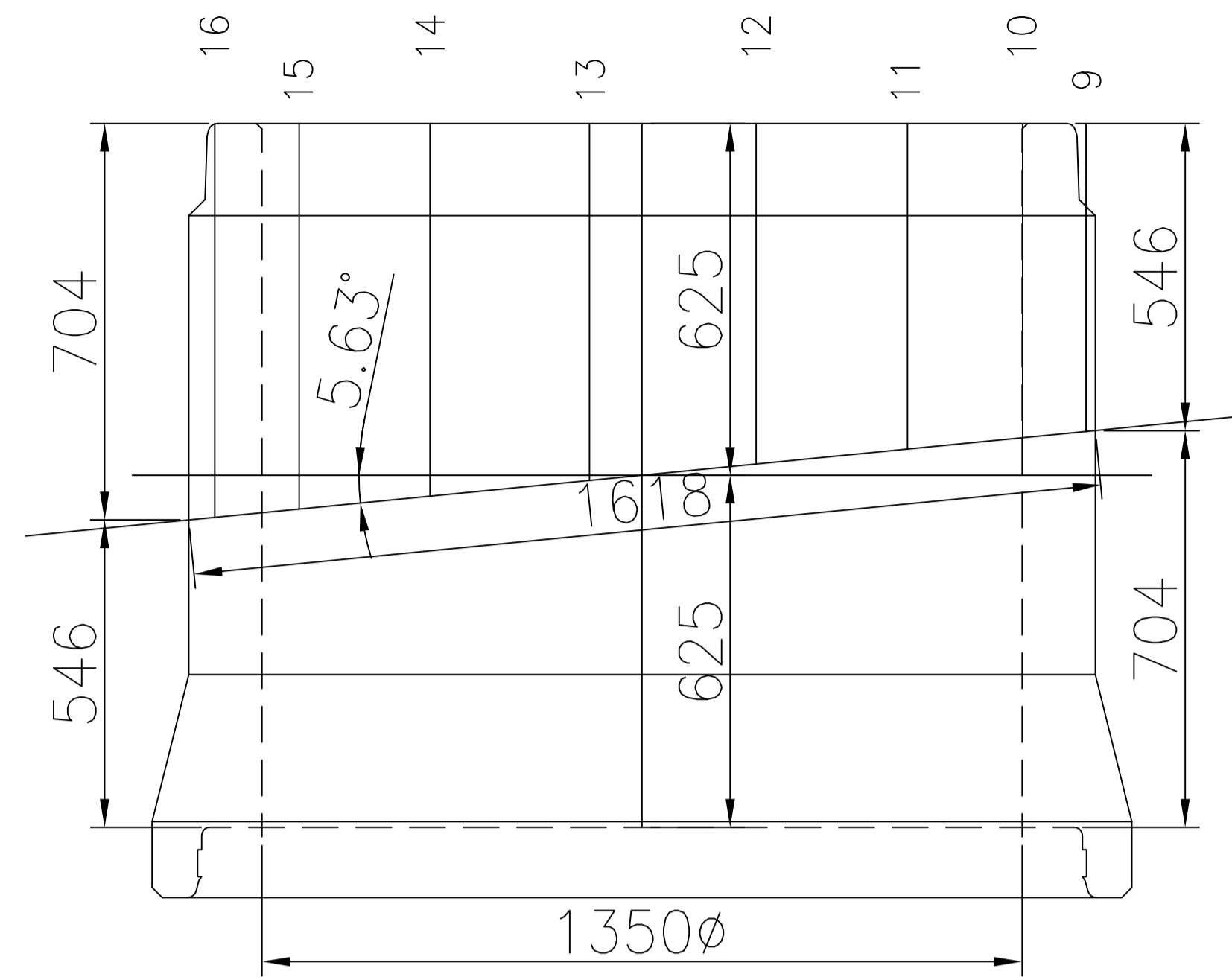
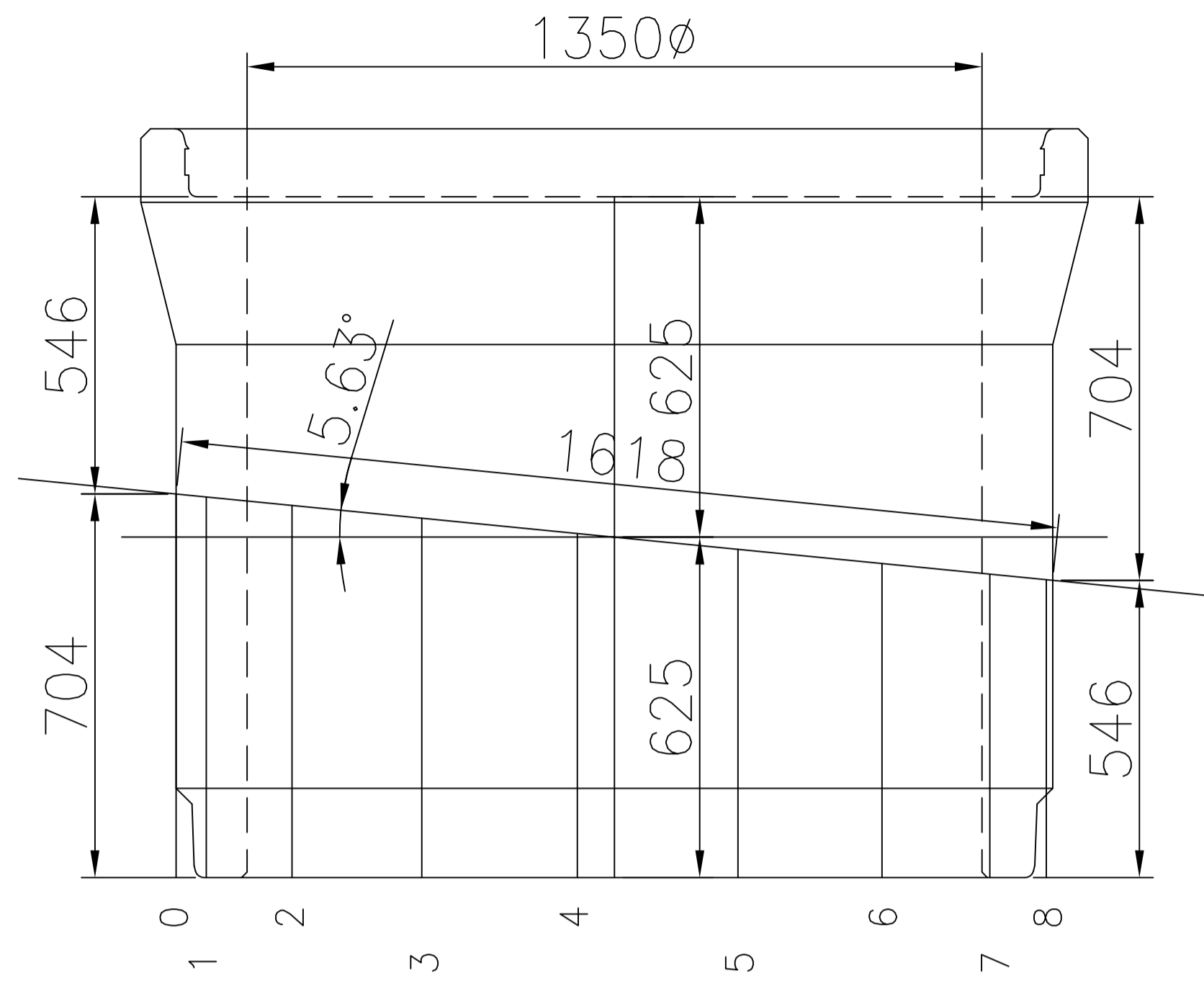


- Notes:
1. ALL DIMS ARE QUALITY CONTROL MEASUREMENTS
  2. FOR SPIGOT & SOCKET DETAILS REFER TO DRAWING KN-DN-1350-PIPE
  3. PIPE BEND WEIGHT - 4416kg



	Dimension from spigot		Dimension from spigot
0	704	9	547
1	699	10	558
2	683	11	579
3	660	12	605
4	632	13	634
5	603	14	662
6	577	15	685
7	557	16	700
8	547	-	-

TAKEN AT 300 c/c FROM POINT 0

Rev	Date	Revision detail	By	Chkd



**FP McCann**  
 Knocknaghirn Quarry, 3 Drumard  
 Road, Magherafelt,  
 BT45 8QA  
 Tel: +44 (0)28 7964 2568  
 Fax: +44 (0)28 7964 4224  
 www.fpmccann.co.uk

Contract: **STANDARD McCANN  
 PIPE BENDS**

Title: **DN1350 PIPE 11.25°  
 EASI-FLEX 2 PIECE BEND**

Scale: 1:10 @ A1  
 Date: May 2010  
 Drawn: OOK  
 Checked:   
 Status: **For Manufacture**

Drawing no: **KN-BD-1350-11.25-SP** Rev:   
 1cm A1