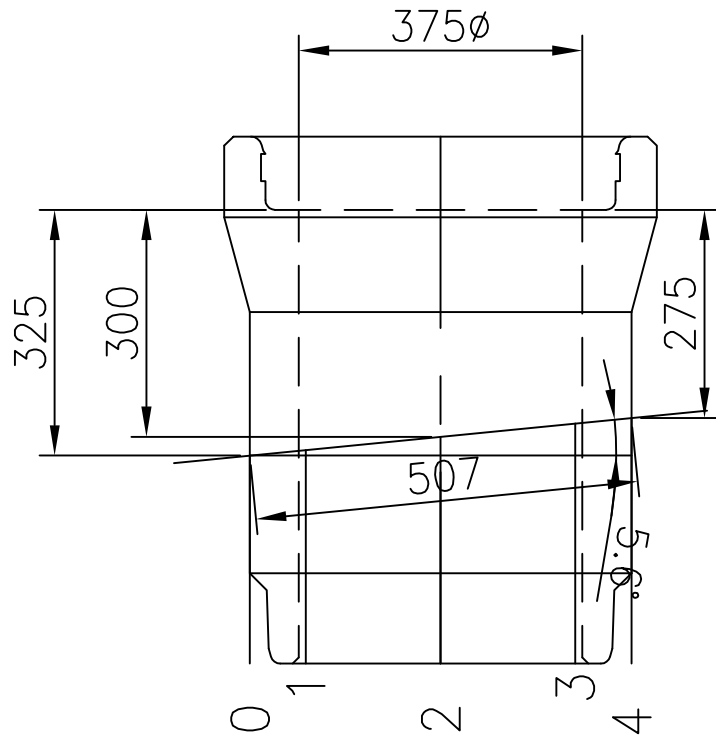
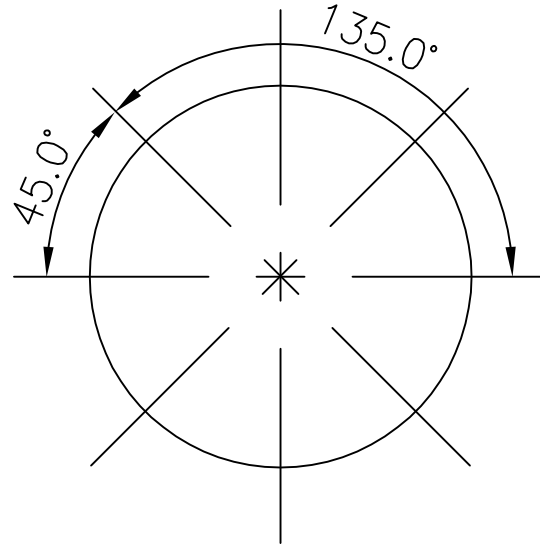
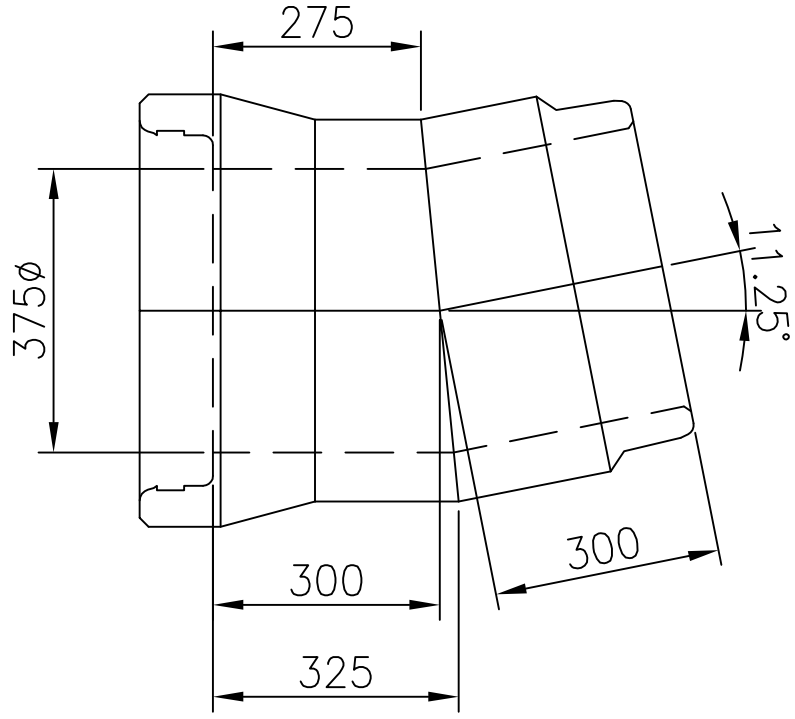


- Notes:
1. ALL DIMS ARE QUALITY CONTROL MEASUREMENTS
 2. FOR SPIGOT & SOCKET DETAILS REFER TO DRAWING KN-OC-0375-PIPE
 3. PIPE BEND WEIGHT - 176kg



	Dimension from spigot
0	275
1	282
2	300
3	318
4	325

Rev	Date	Revision detail	By	Chkd
 FP McCann Kinshoughrim Quarry, 3 Drumard Road, Magherafelt, BT45 8QA Tel: +44 (0)28 7964 2556 Fax: +44 (0)28 7964 4224 www.fpmccann.co.uk				
Contract: FP McCann Standard Pipe Bend				
Title: DN375 Easi-Flex Two Piece 11.25° Bend				
Scale: 1:10 @ A1		Status: For Manufacture		
Date: May 2010				
Drawn: OOK				
Checked:				
Drawing no: KN-BD-0375-11.25-SP				Rev:

1cm A1