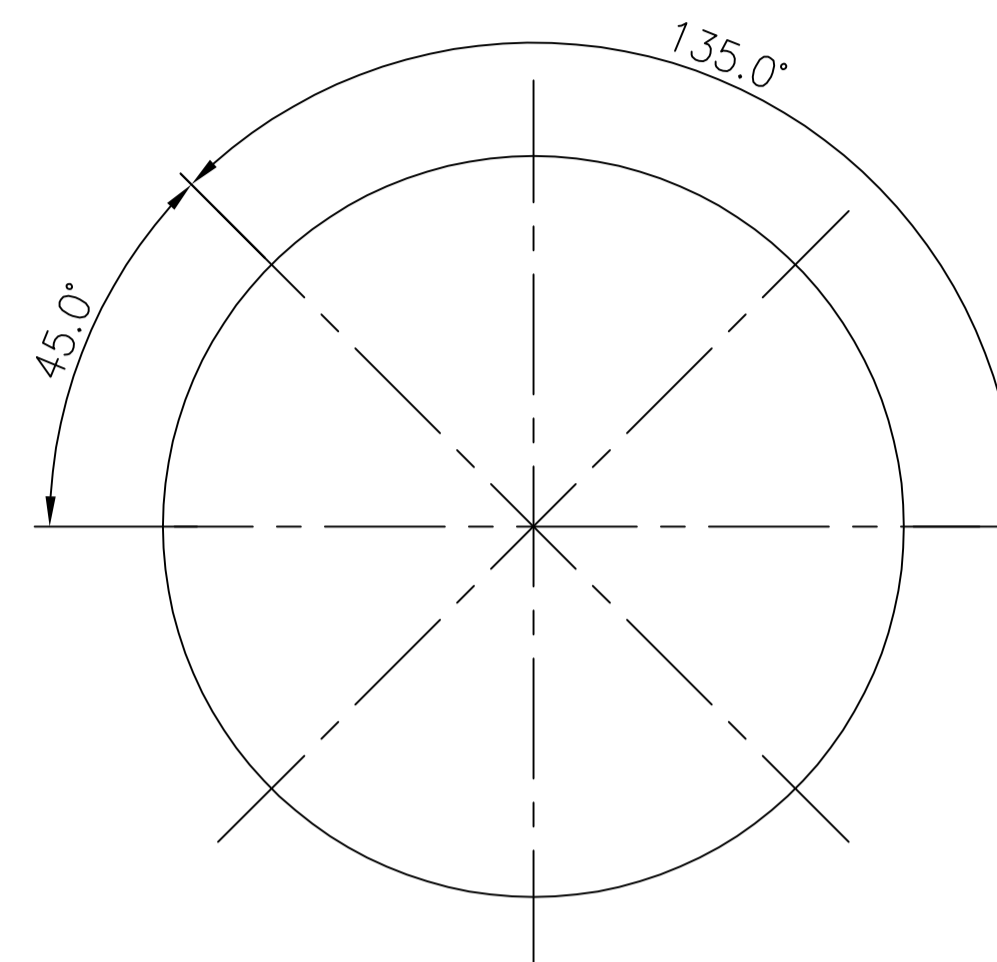
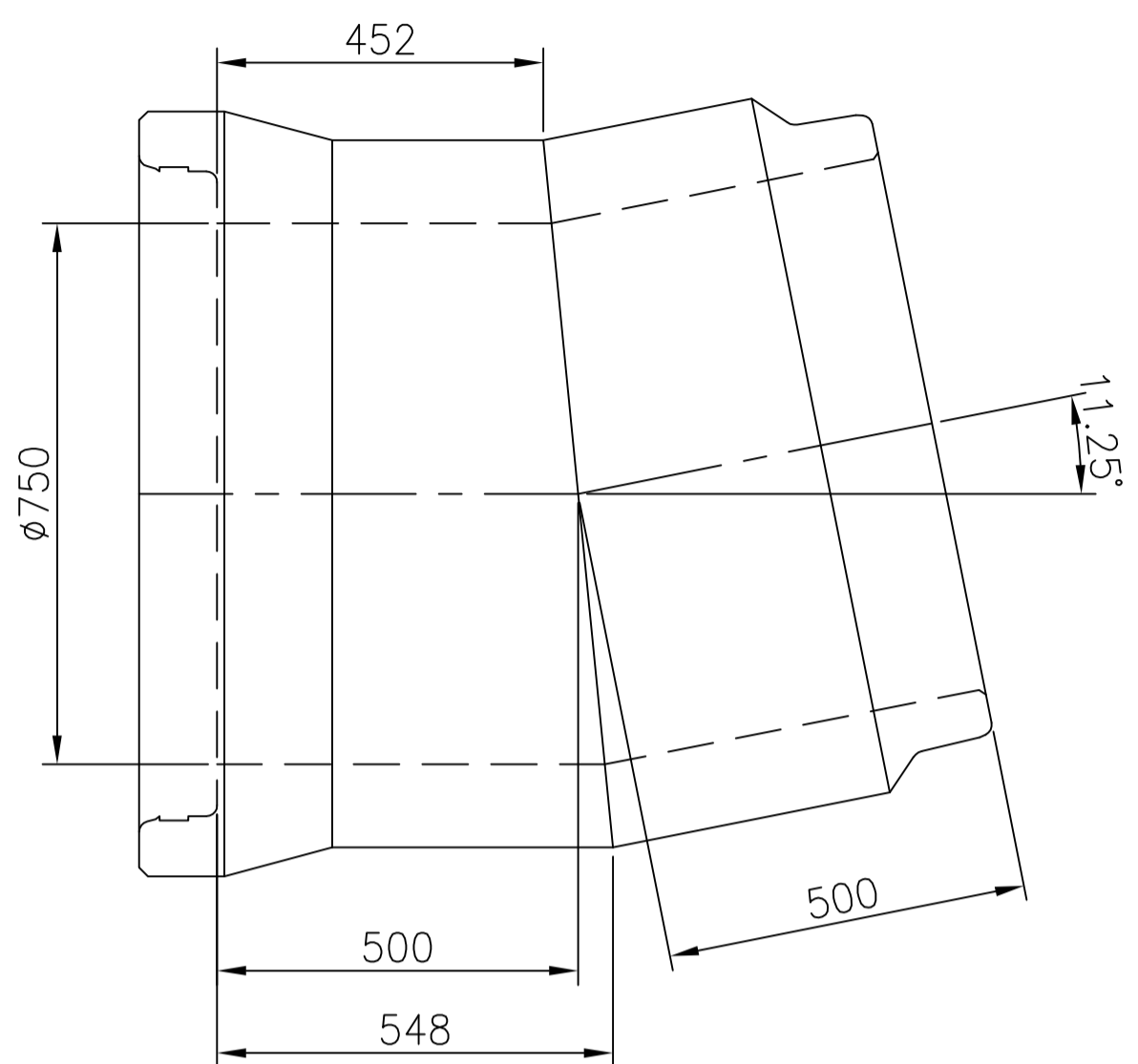
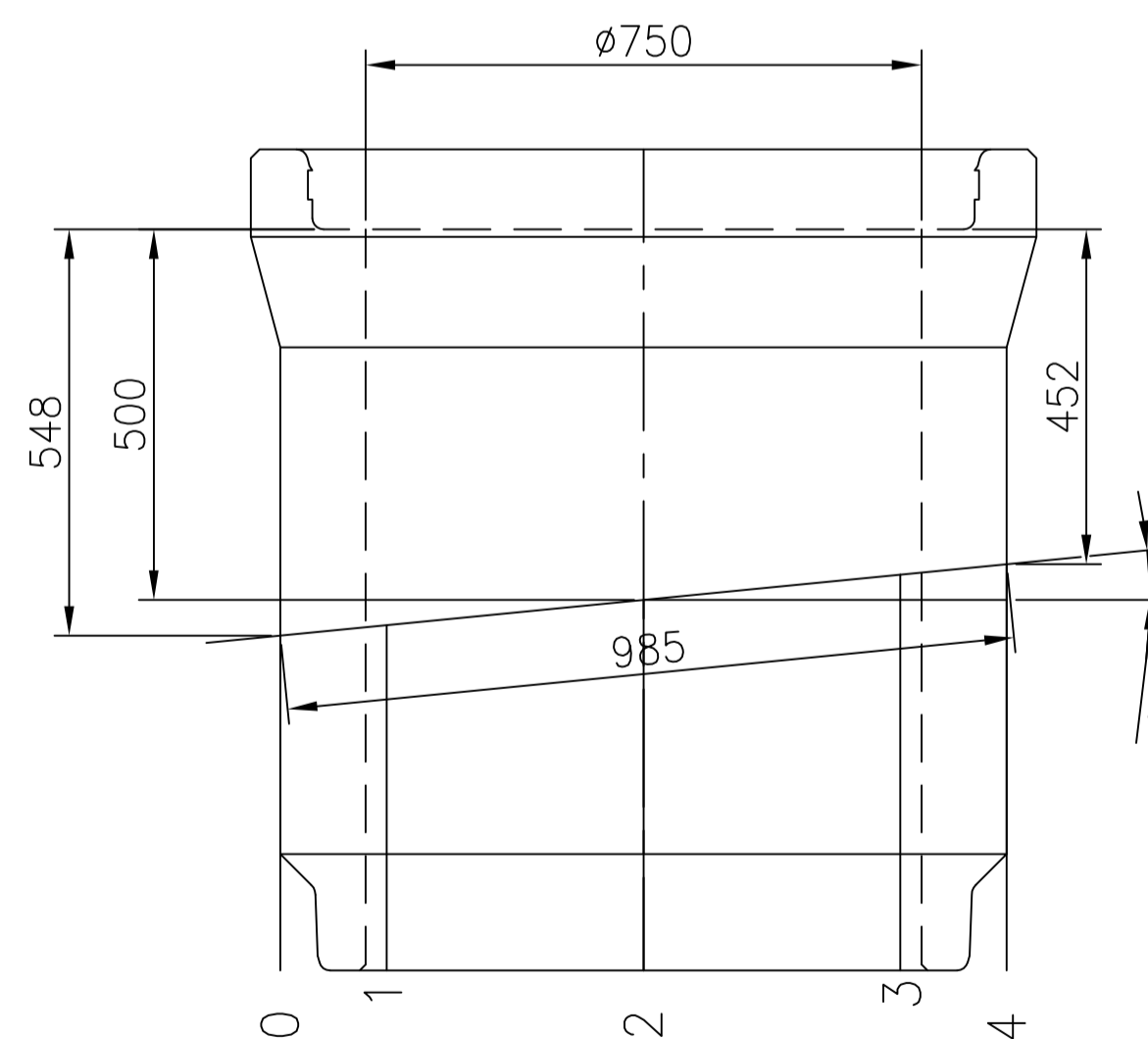


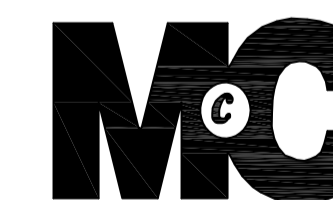
- Notes:
1. ALL DIMS ARE QUALITY CONTROL MEASUREMENTS
  2. FOR SPIGOT & SOCKET DETAILS REFER TO DRAWING KN-OC-750-PIPE
  3. PIPE BEND WEIGHT - 924kg



	Dimension from spigot
0	452
1	466
2	500
3	534
4	548



Rev	Date	Revision detail	By	Chkd



**FP McCann**  
 Knocknaghirn Quarry, 3 Drumard  
 Road, Magherafelt,  
 BT45 8QA  
 Tel: +44 (0)28 7964 2568  
 Fax: +44 (0)28 7964 4224  
 www.fpmccann.co.uk

Contract: **FP McCann Standard Pipe Bend**

Title: **DN750 Easi-Flex Two Piece 11.25° Bend**

Scale: 1:10 @ A1  
 Date: May 2010  
 Drawn: OOK  
 Checked: **For Manufacture**

Drawing no: **KN-BD-0750-11.25-SP** Rev:

1cm A1