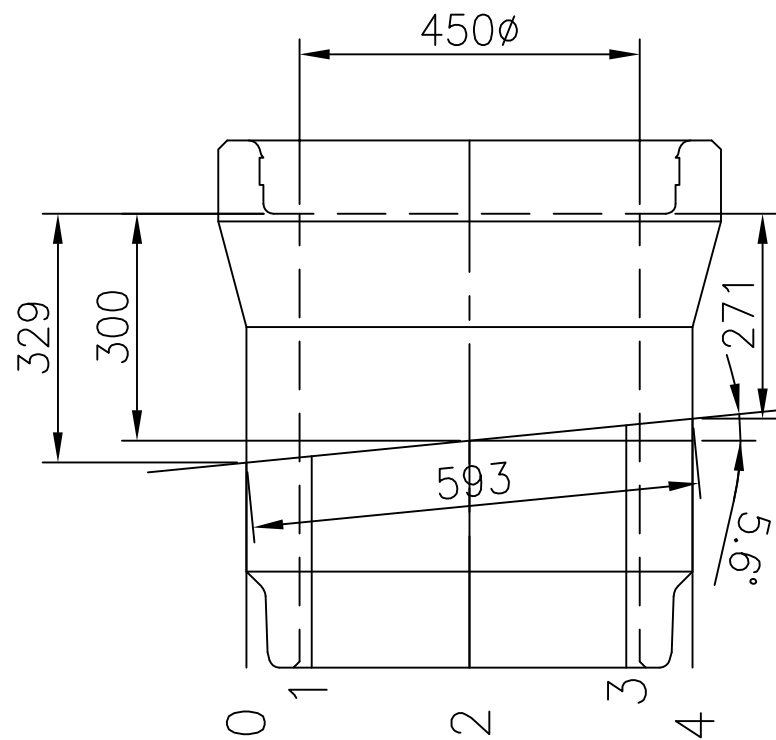
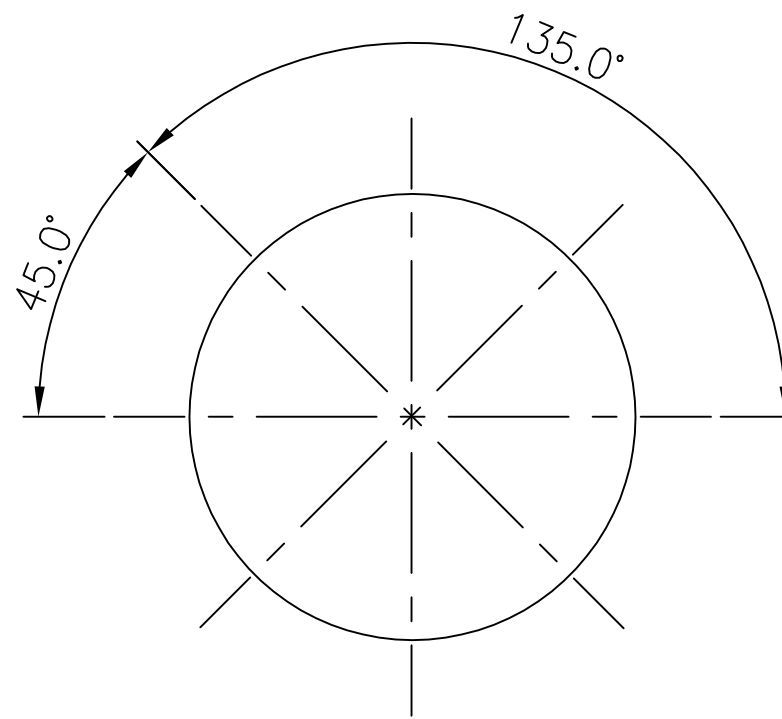
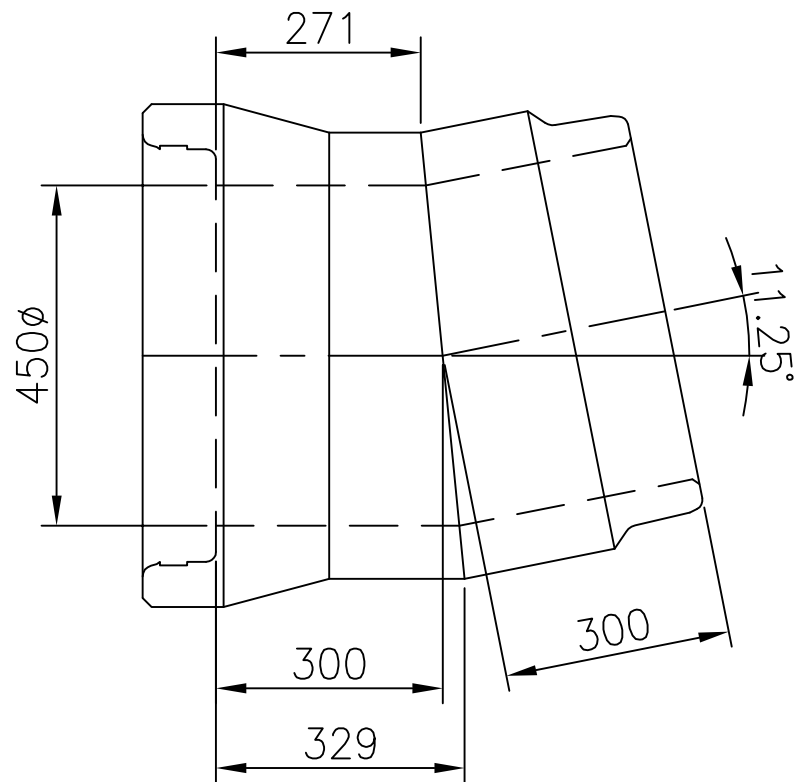


- Notes:
1. ALL DIMS ARE QUALITY CONTROL MEASUREMENTS
  2. FOR SPIGOT & SOCKET DETAILS REFER TO DRAWING KN-OC-450-PIPE
  3. PIPE BEND WEIGHT - 219kg



	Dimension from spigot
0	271
1	279
2	300
3	320
4	329

Rev	Date	Revision detail	By	Chkd



**FP McCann**  
 Kinscoughrim Quarry, 3 Drumard  
 Road, Magherafelt,  
 BT45 8QA  
 Tel: +44 (0)28 7964 2556  
 Fax: +44 (0)28 7964 4224  
 www.fpmccann.co.uk

Contract: **FP McCann Standard Pipe Bend**

Title: **DN450 Easi-Flex Two Piece 11.25° Bend**

Scale: 1:10 @ A1  
 Date: May 2010  
 Drawn: OOK  
 Checked:   
 Status: **For Manufacture**

Drawing no: **KN-BD-0450-11.25-SP** Rev:   
 1cm A1